



# LONGOPAC FLEX SYSTEM

---



# LONGOPAC FLEX SYSTEM



Conceal the Longopac system anywhere with a Flex unit. Retro-fit into existing recycling cabinets or slide out of the way under the worktop – the Longopac flex system will ensure optimum efficiency without compromising aesthetics or space.



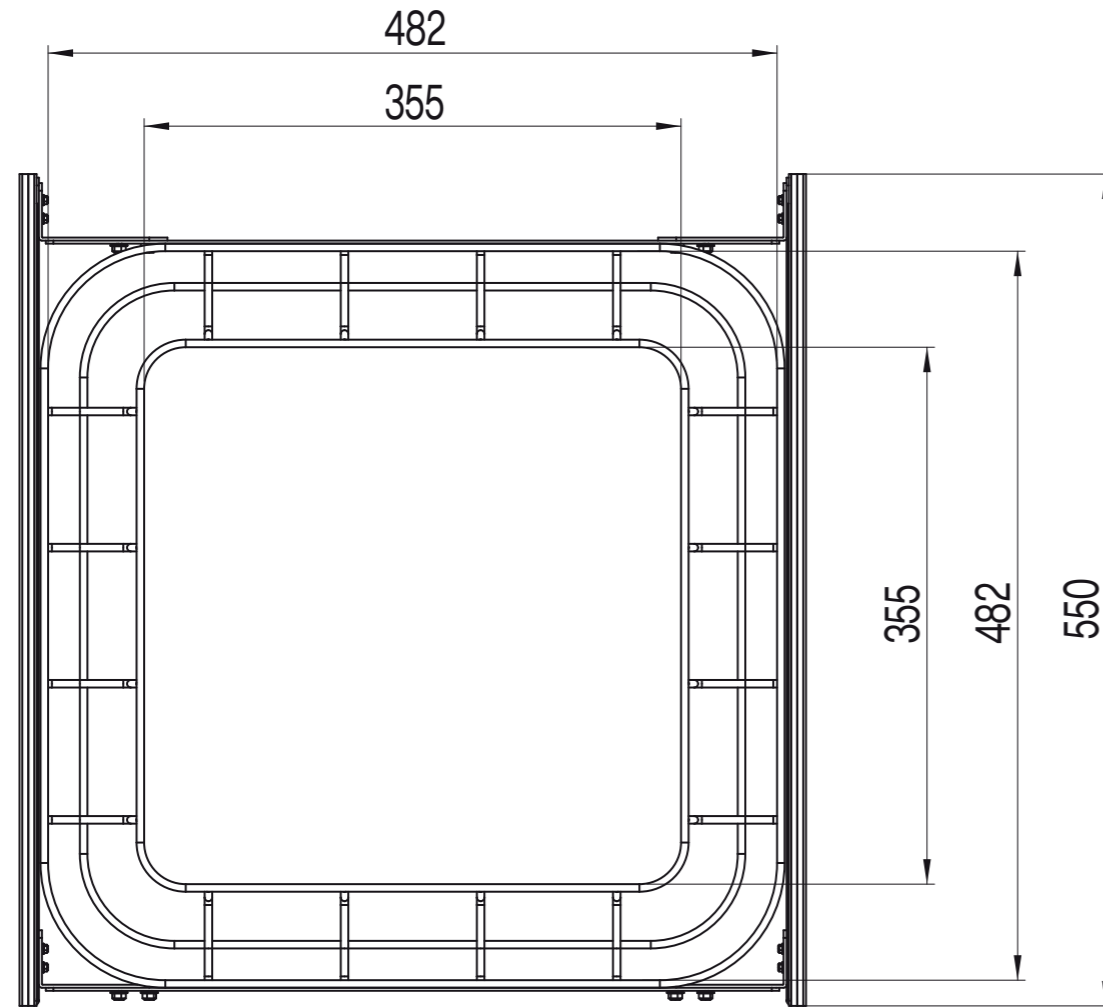
## CONTENTS.

Longopac Flex Maxi	03
Longopac Flex Midi	07
Longopac Flex Mini Slim	11
Longopac Flex Mini Square	15
Loading refill	20
Changing bags	21
Liquids	22

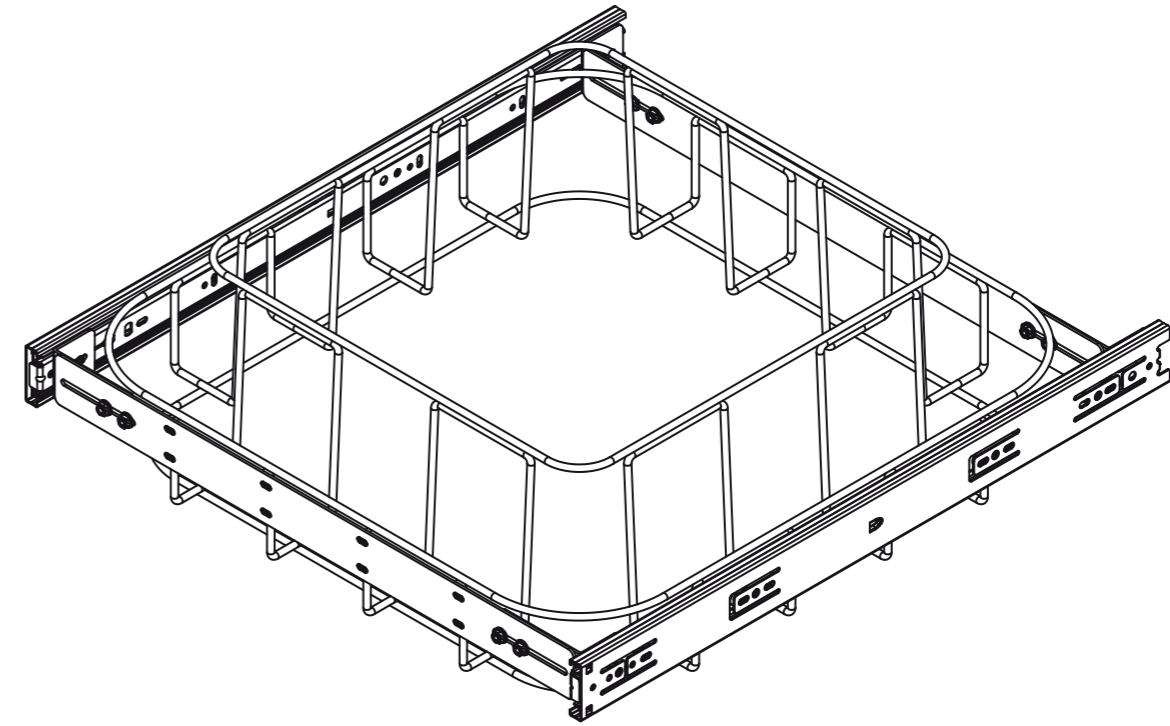
© Copyright Unisan 2022 - E&OE

# FRAME DIMENSIONS

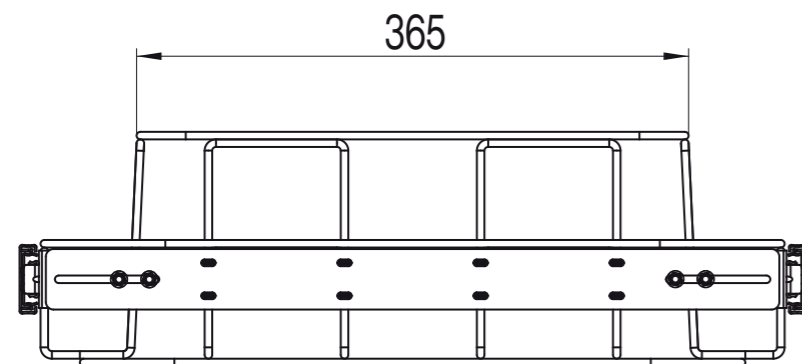
Longopac Flex **Maxi**



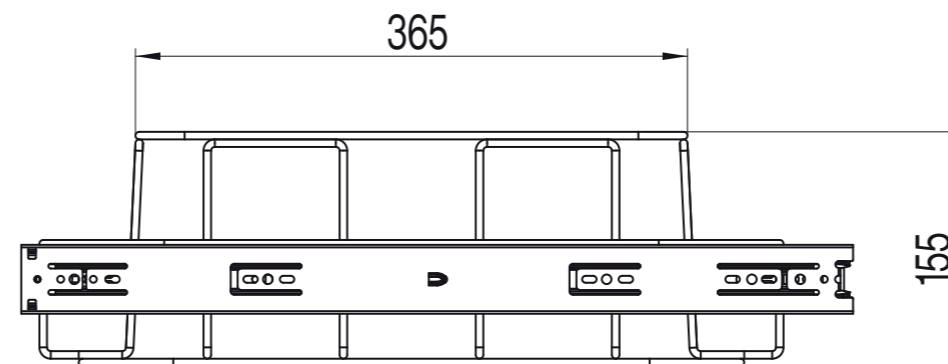
Top view



Isometric



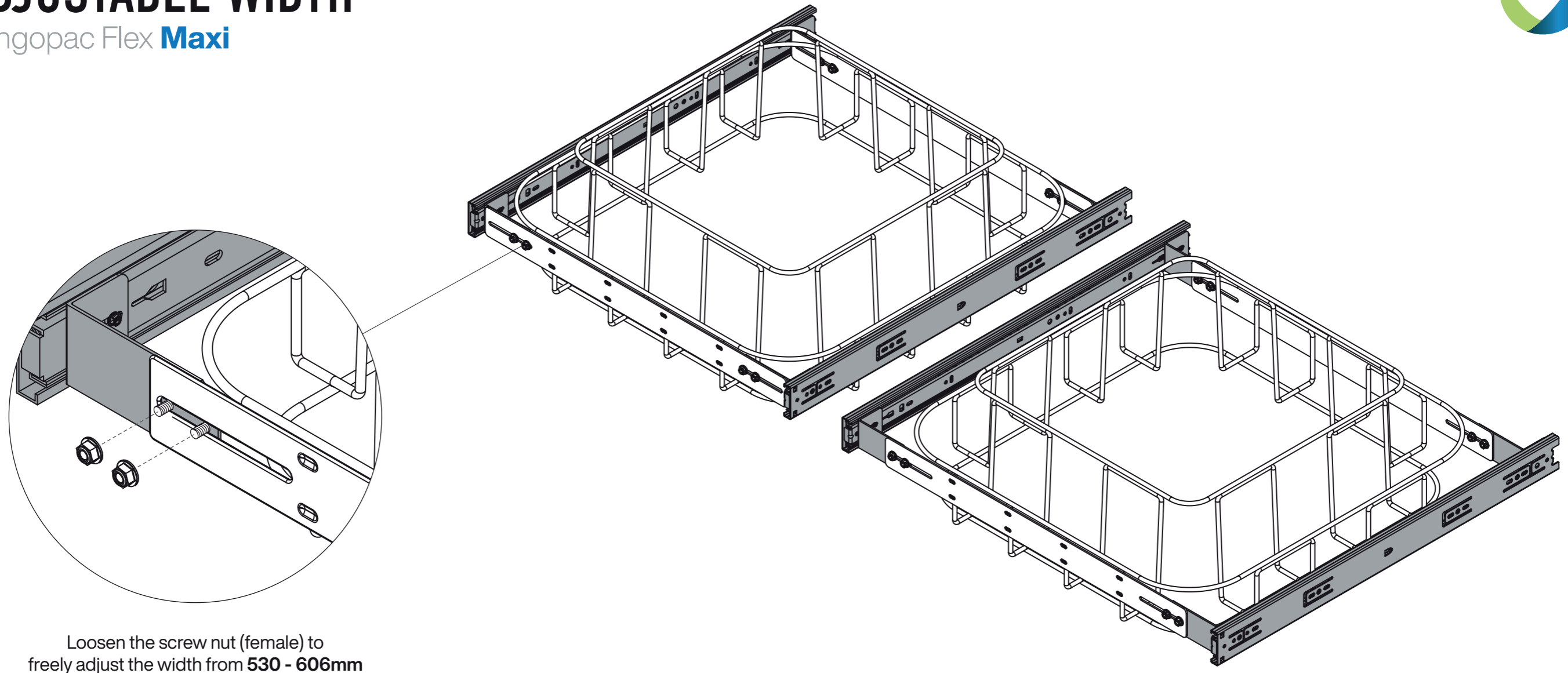
Front view



Side view

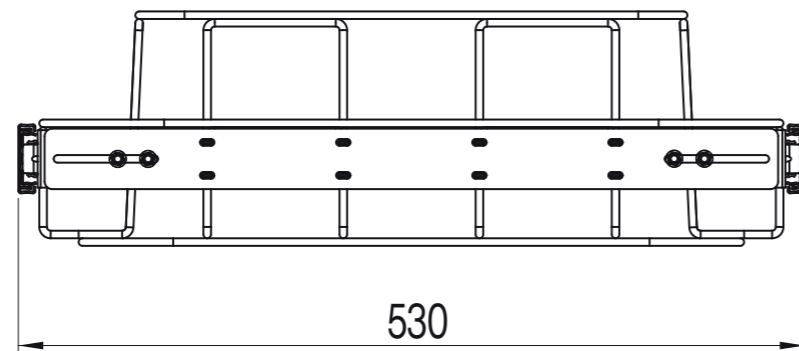
# ADJUSTABLE WIDTH

Longopac Flex **Maxi**



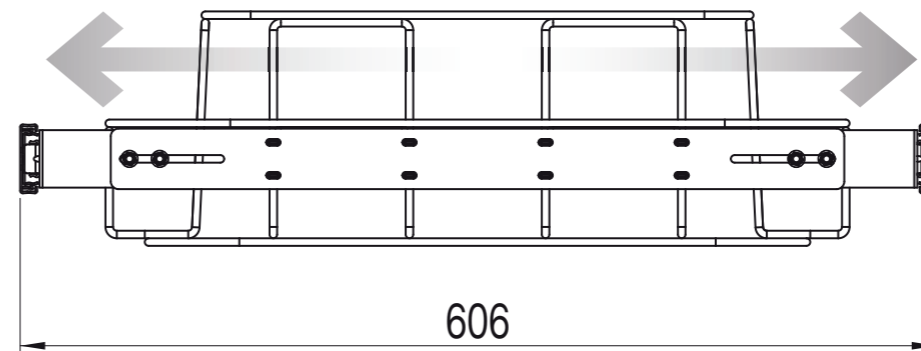
Loosen the screw nut (female) to freely adjust the width from **530 - 606mm**

Minimum width



Front view

Maximum width

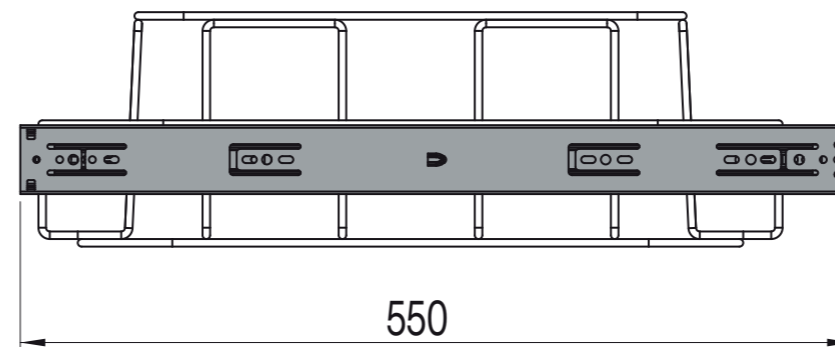


# FIXED & PROTRUDED DEPTH

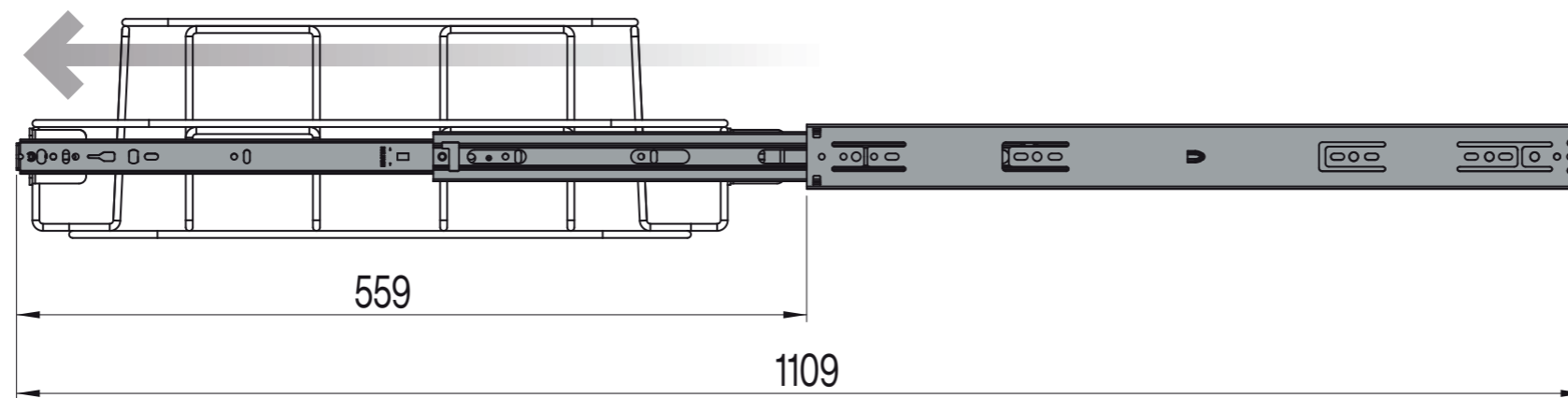
Longopac Flex **Maxi**



Side view



Fixed

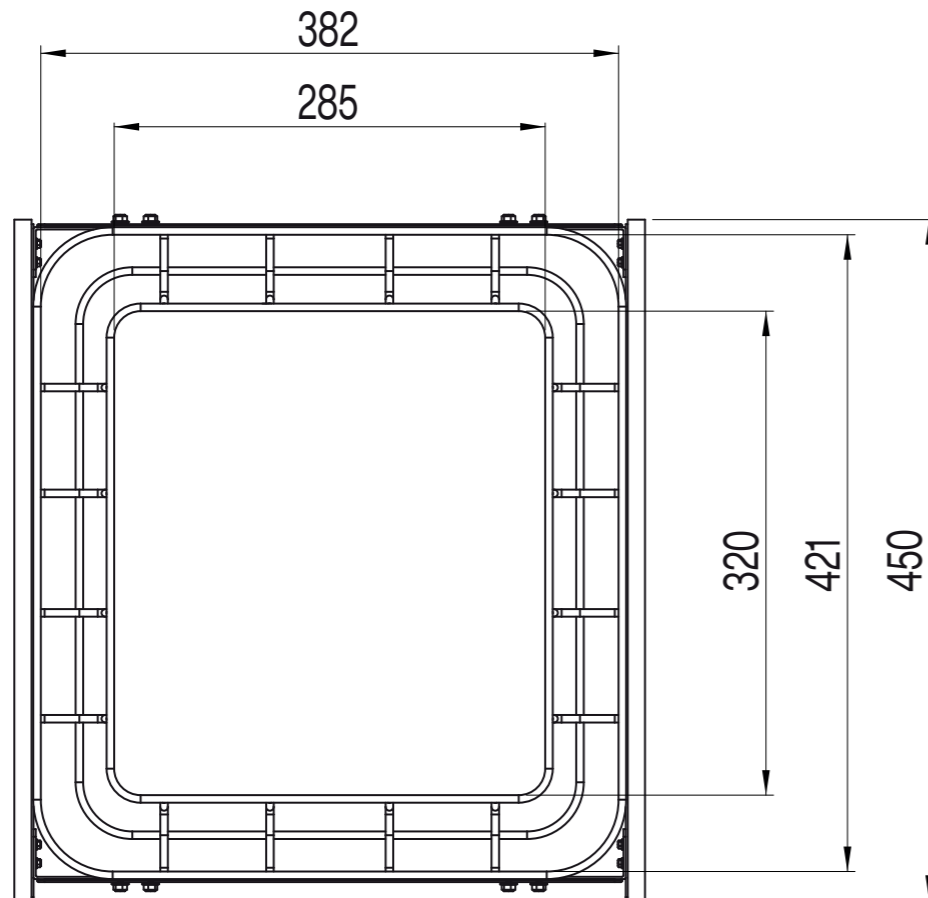


Protruded

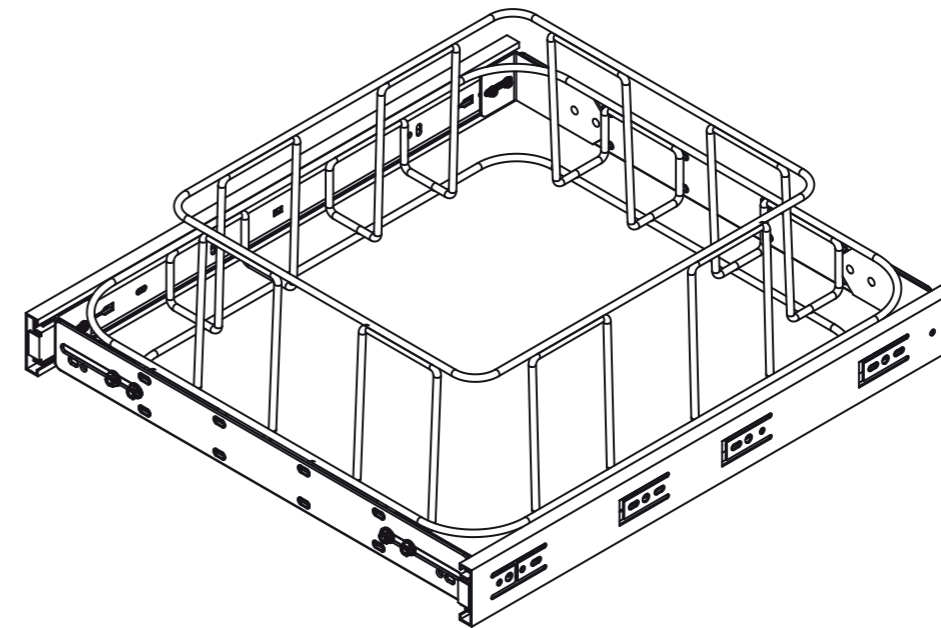
Extending the Longopac Flex will allow the user to change the bag & refill the liner easily.

# FRAME DIMENSIONS

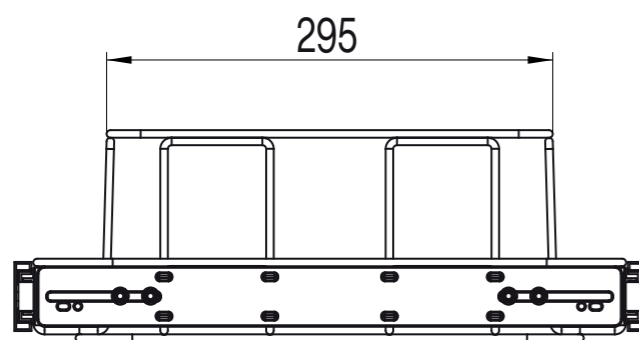
Longopac Flex **Midi**



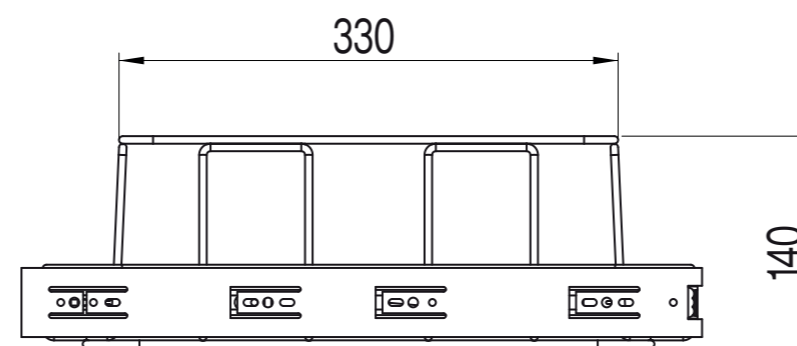
Top view



Isometric



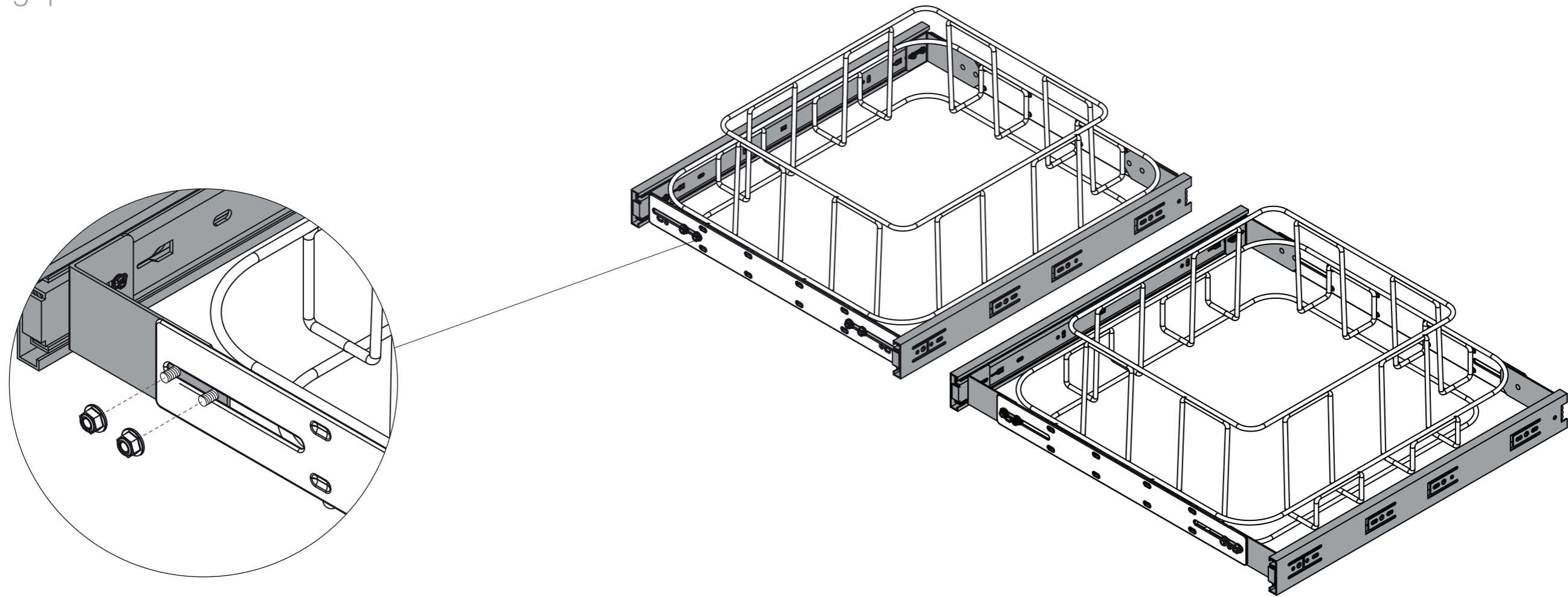
Front view



Side view

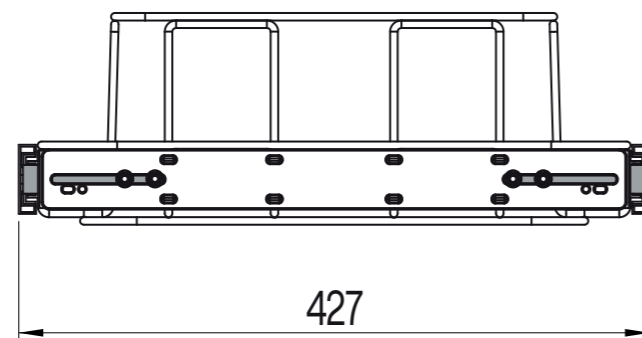
# ADJUSTABLE WIDTH

Longopac Flex **Midi**



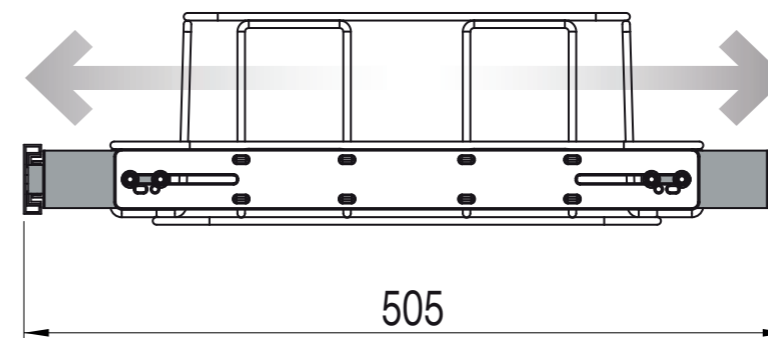
Loosen the screw nut (female) to freely adjust the width from **427- 505mm**

**Minimum** width



**Front** view

**Maximum** width

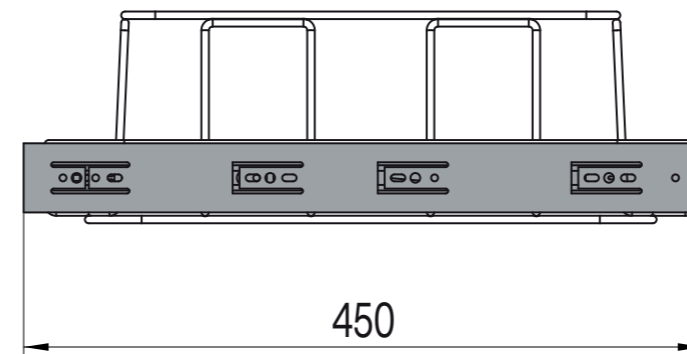


# FIXED & PROTRUDED DEPTH

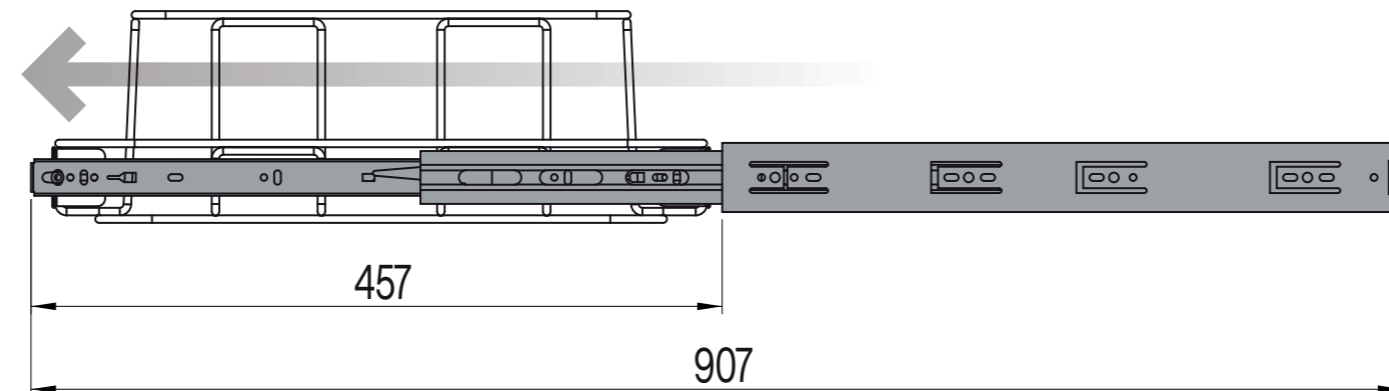
Longopac Flex **Midi**



Side view



Fixed



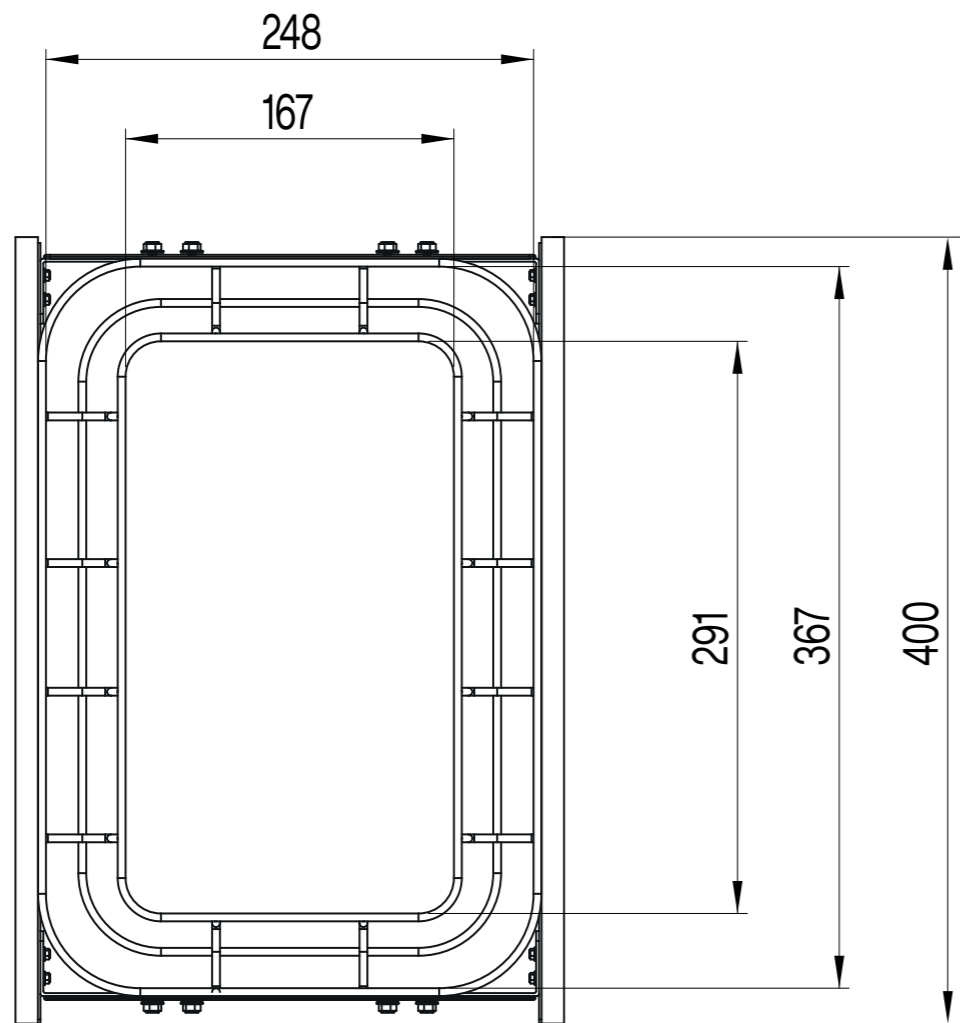
Protruded

Extending the Longopac Flex will allow the user to change the bag & refill the liner easily.

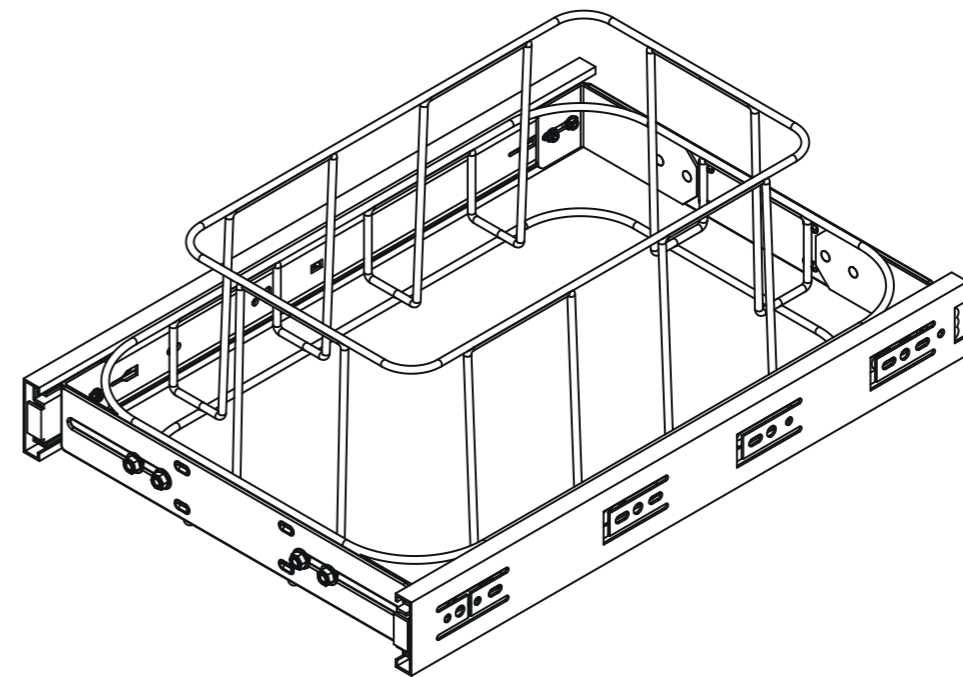


# FRAME DIMENSIONS

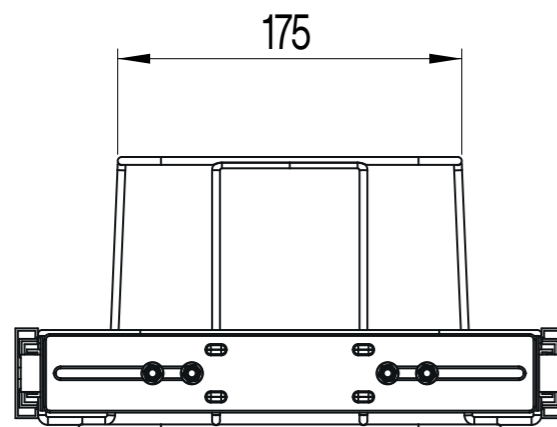
Longopac Flex **Mini Slim**



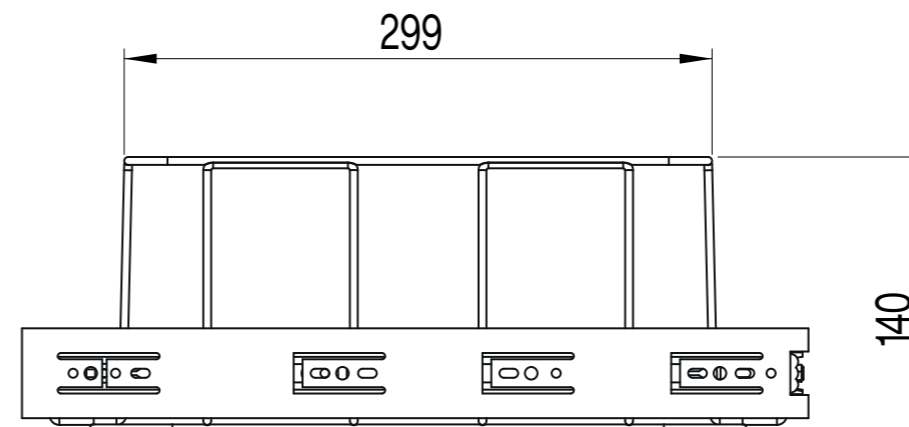
Top view



Isometric



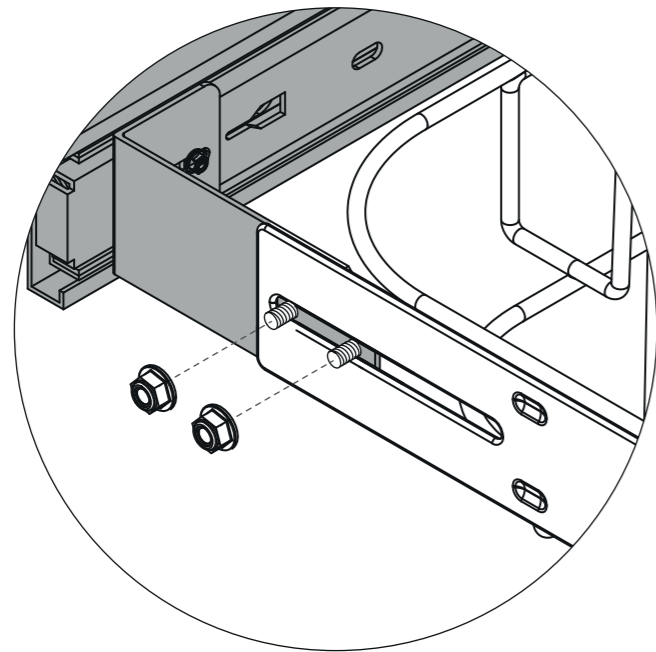
Front view



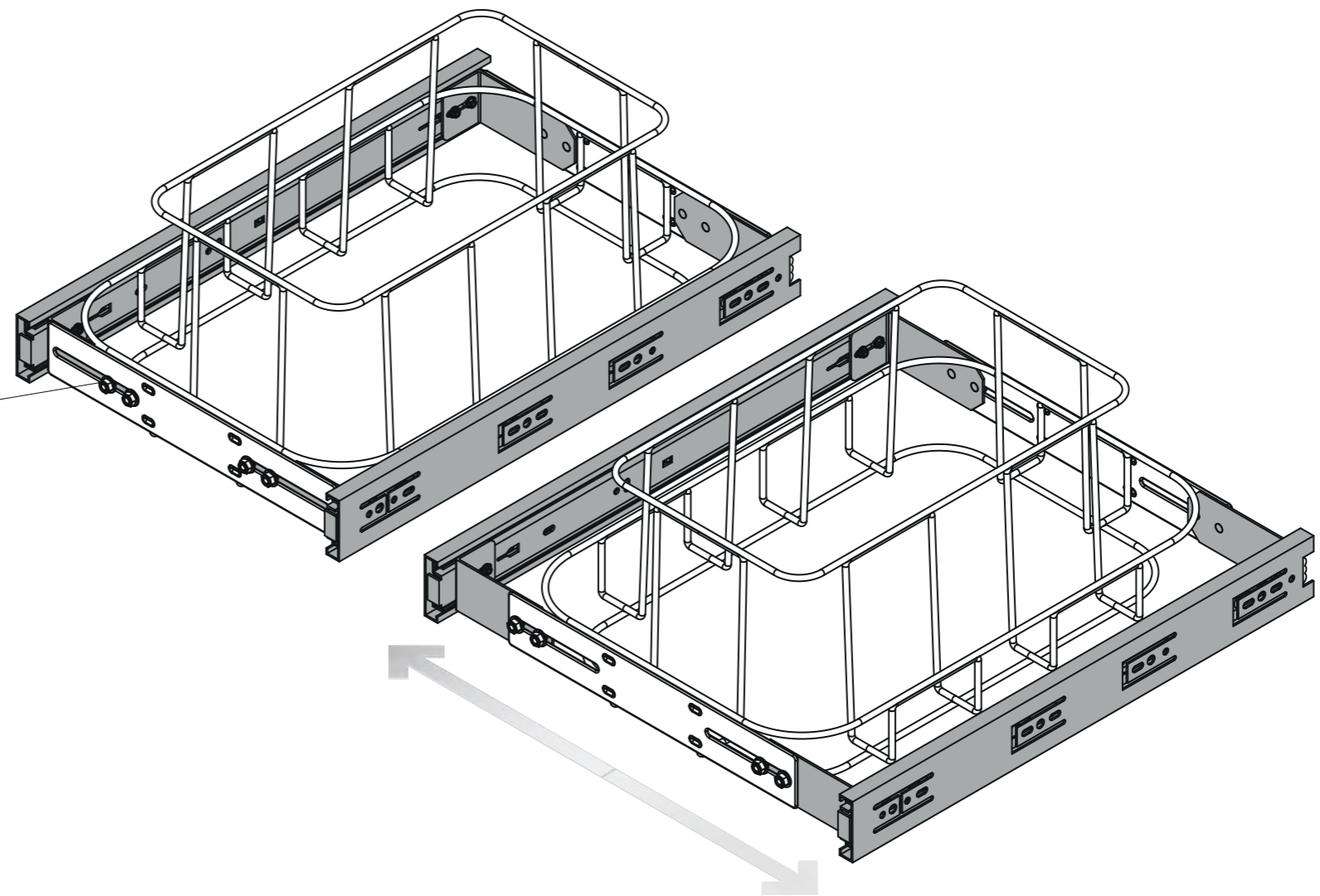
Side view

# ADJUSTABLE WIDTH

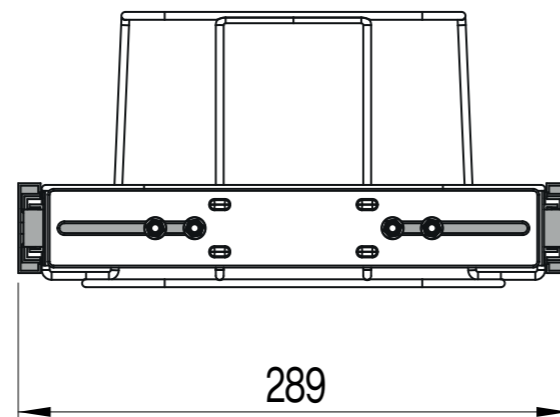
Longopac Flex **Mini Slim**



Loosen the screw nut (female) to freely adjust the width from **289 - 372mm**

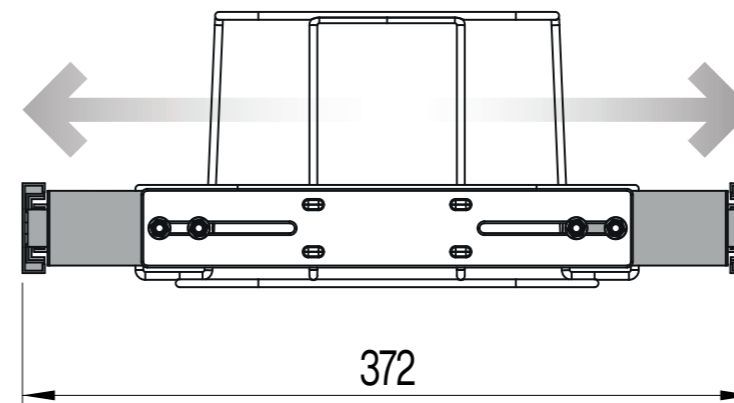


**Minimum** width



**Front view**

**Maximum** width

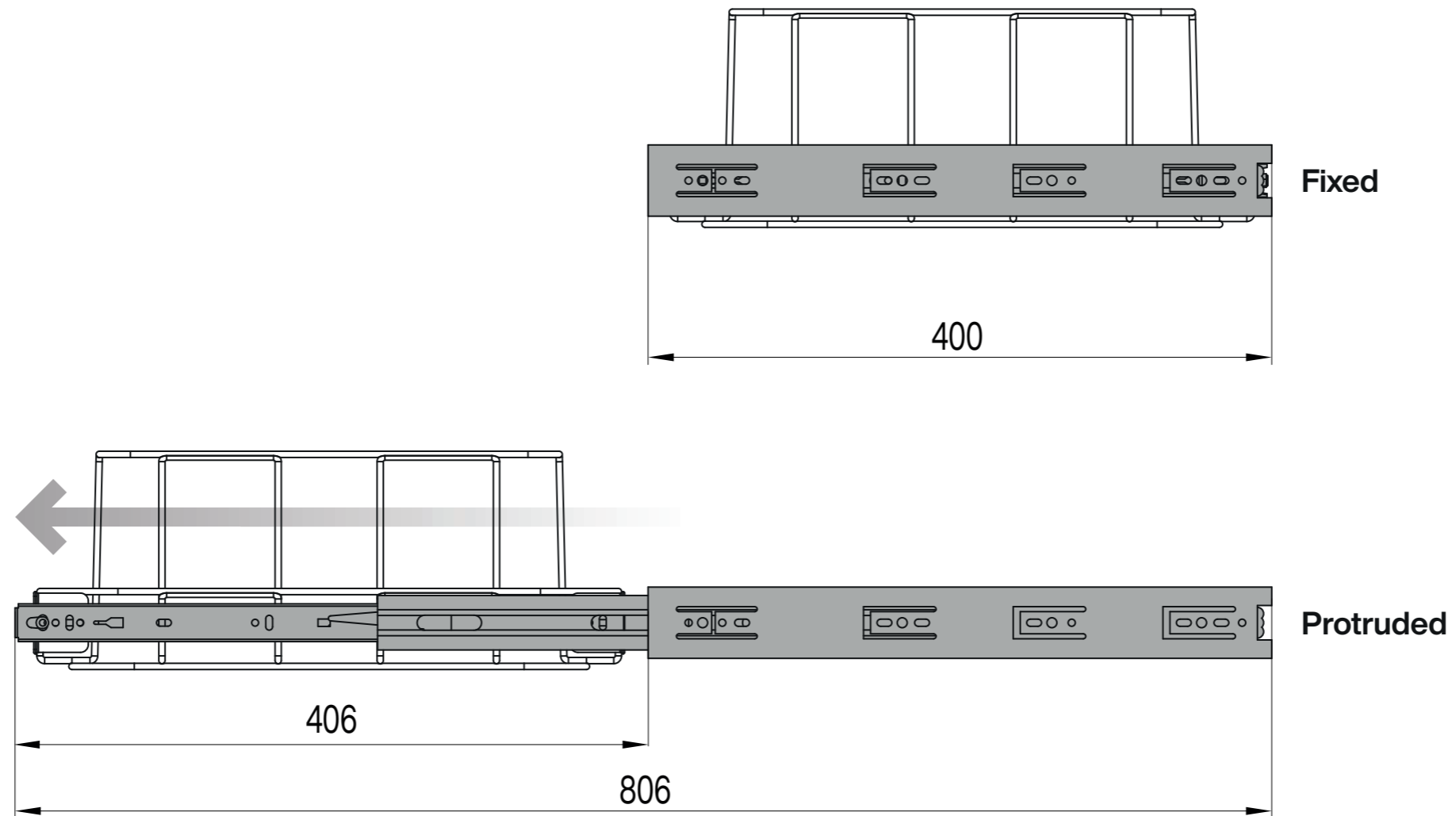


# FIXED & PROTRUDED DEPTH

Longopac Flex **Mini Slim**



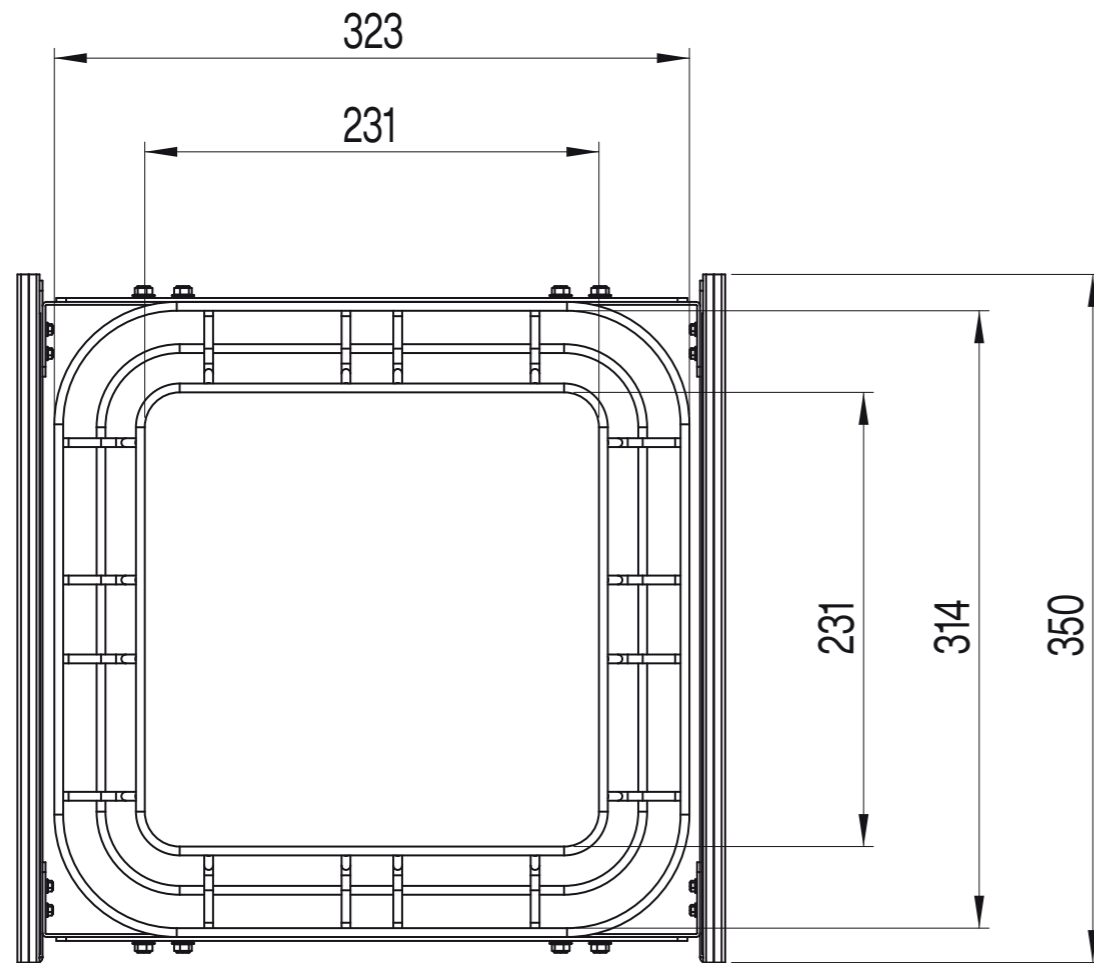
Side view



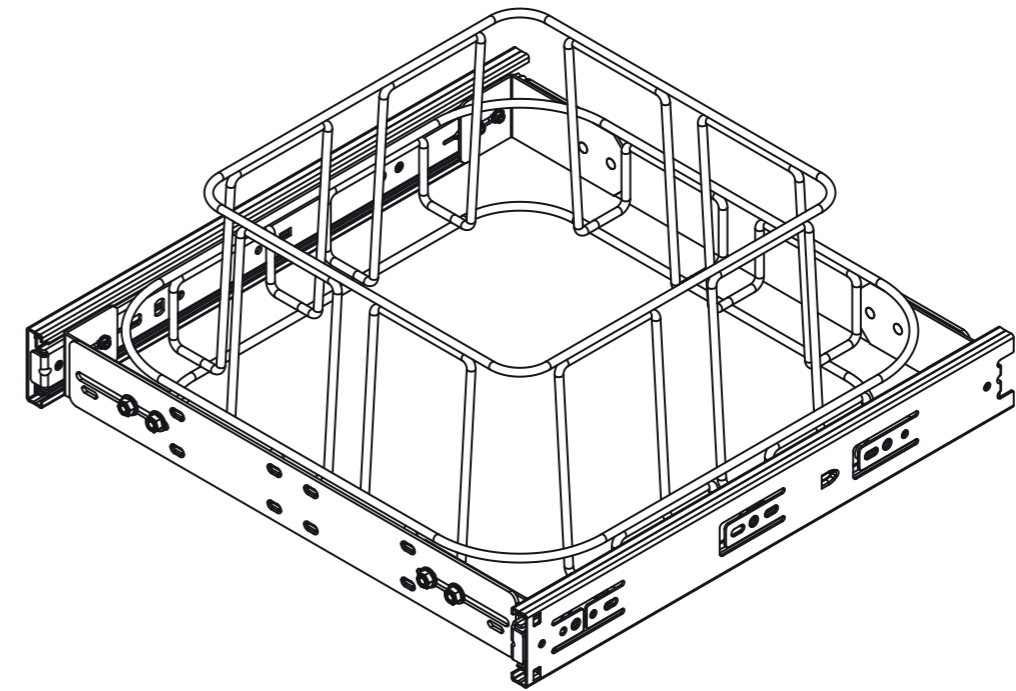
Extending the Longopac Flex will allow the user to change the bag & refill the liner easily.

# FRAME DIMENSIONS

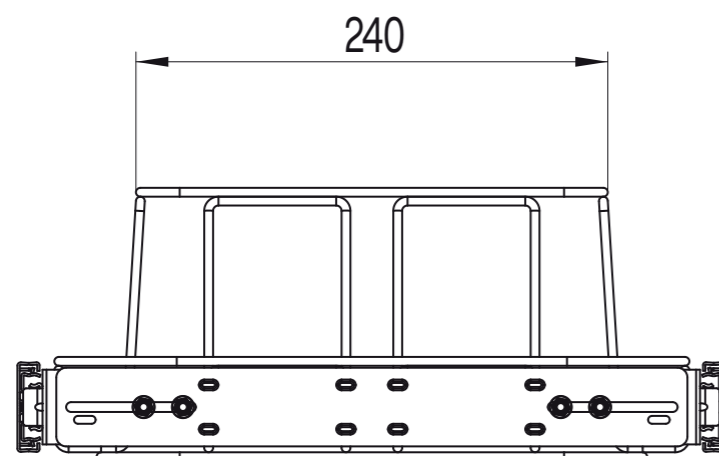
Longopac Flex **Mini Square**



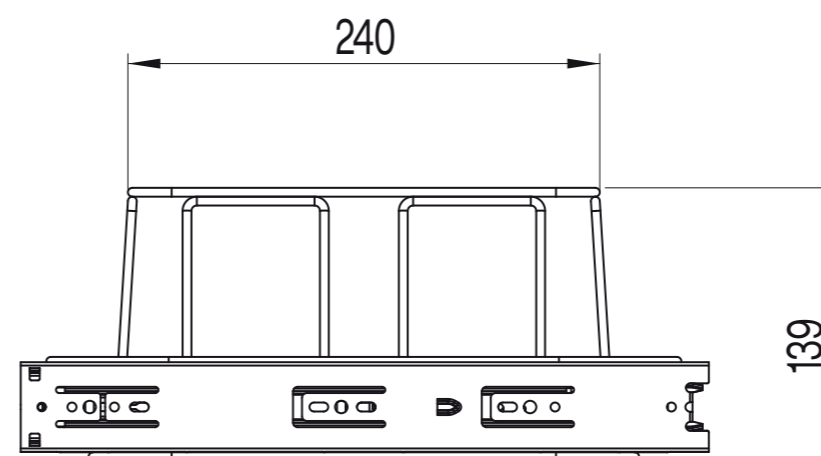
Top view



Isometric



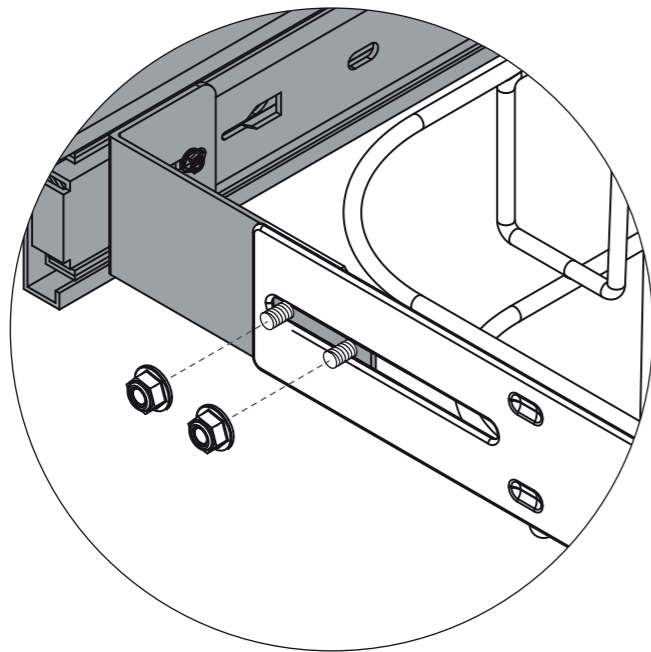
Front view



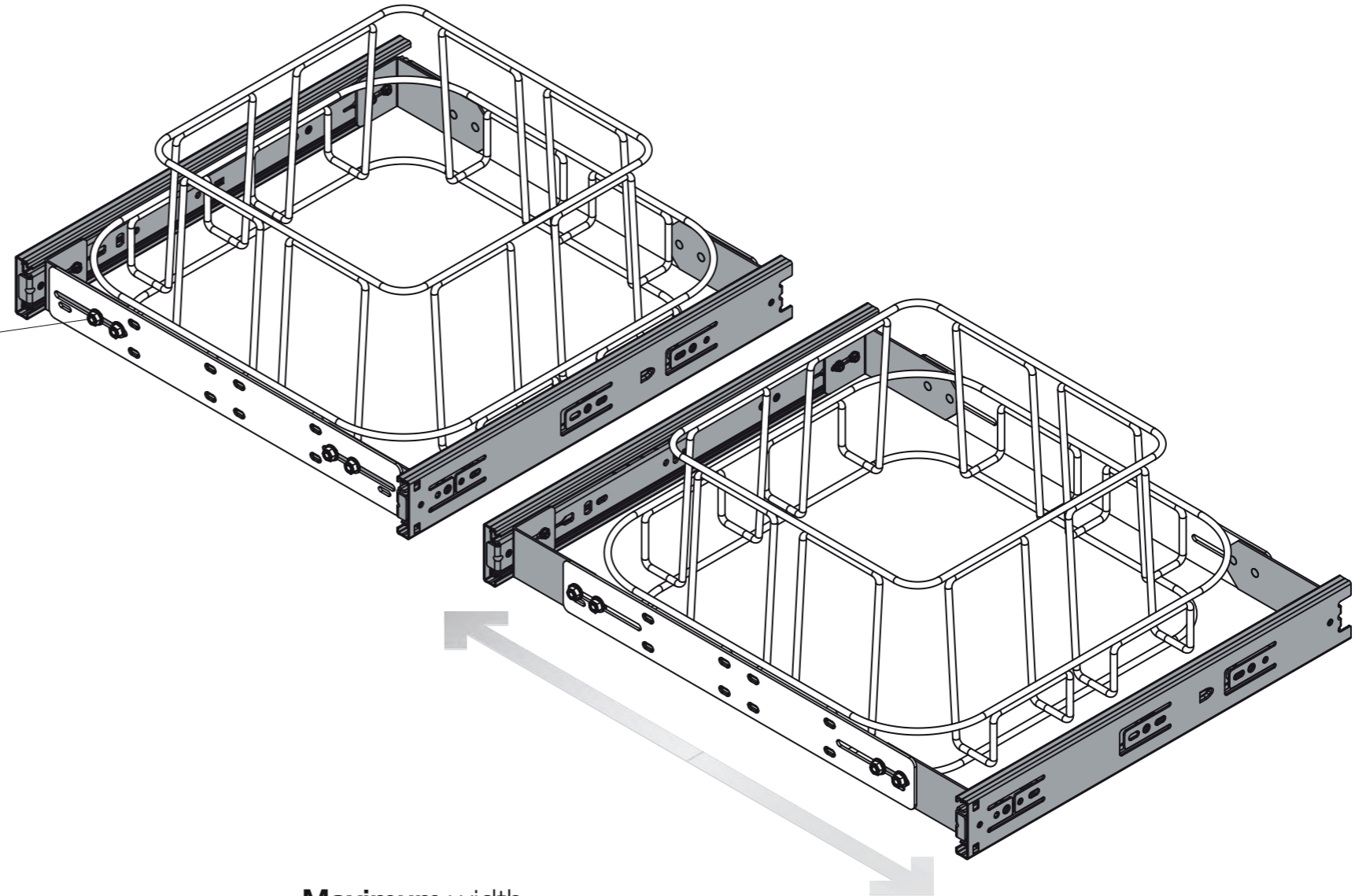
Side view

# ADJUSTABLE WIDTH

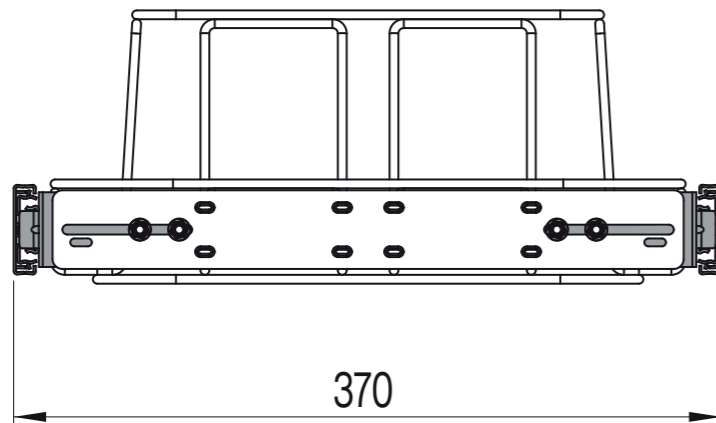
Longopac Flex **Mini Square**



Loosen the screw nut (female) to freely adjust the width from **370 - 443mm**



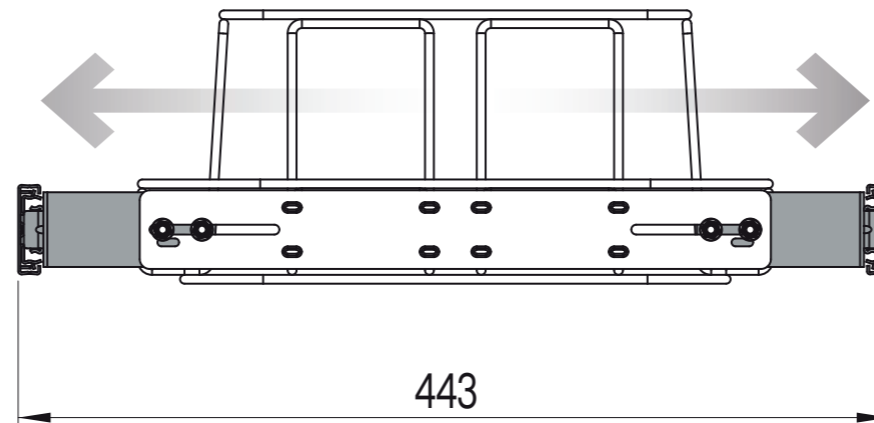
**Minimum width**



370

**Front view**

**Maximum width**



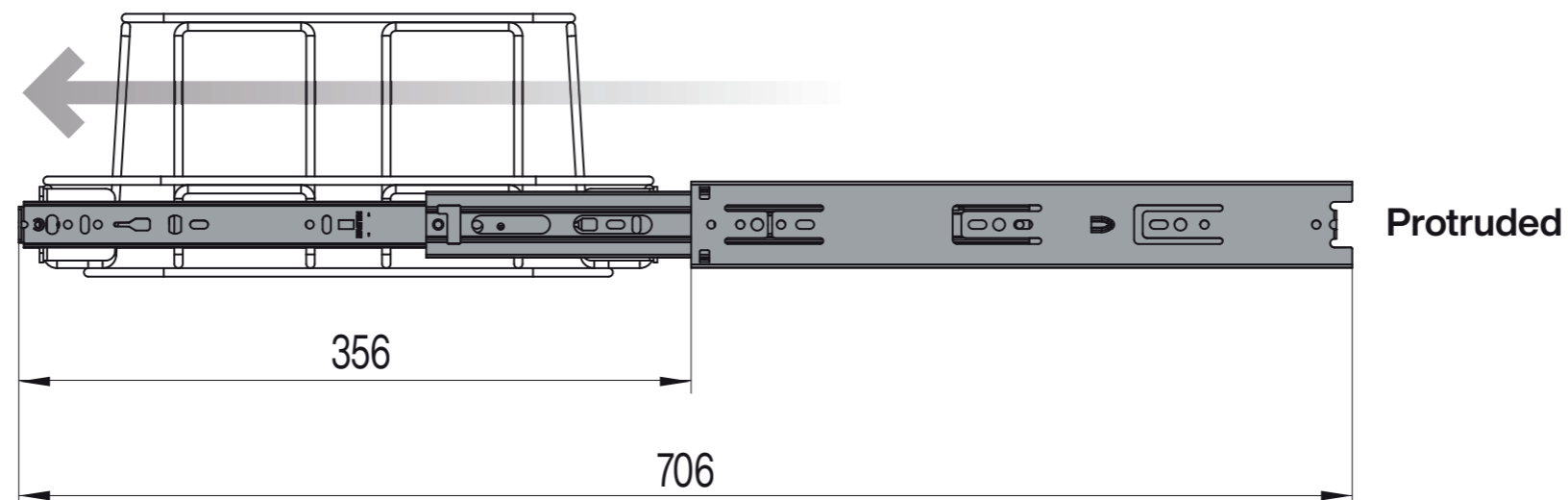
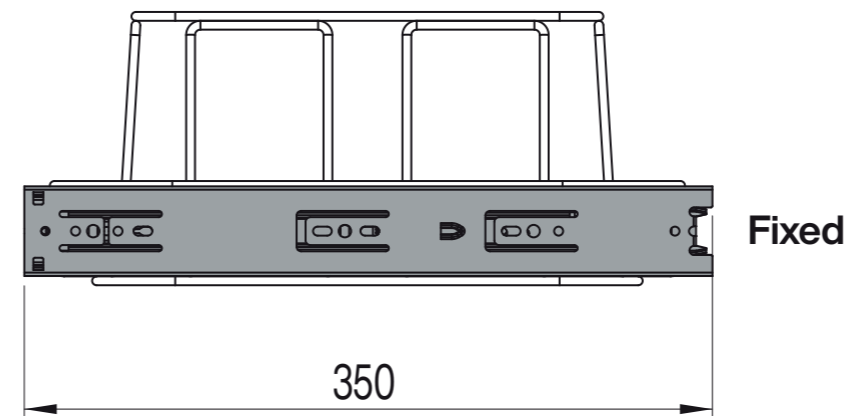
443

# FIXED & PROTRUDED DEPTH

Longopac Flex **Mini Square**



Side view



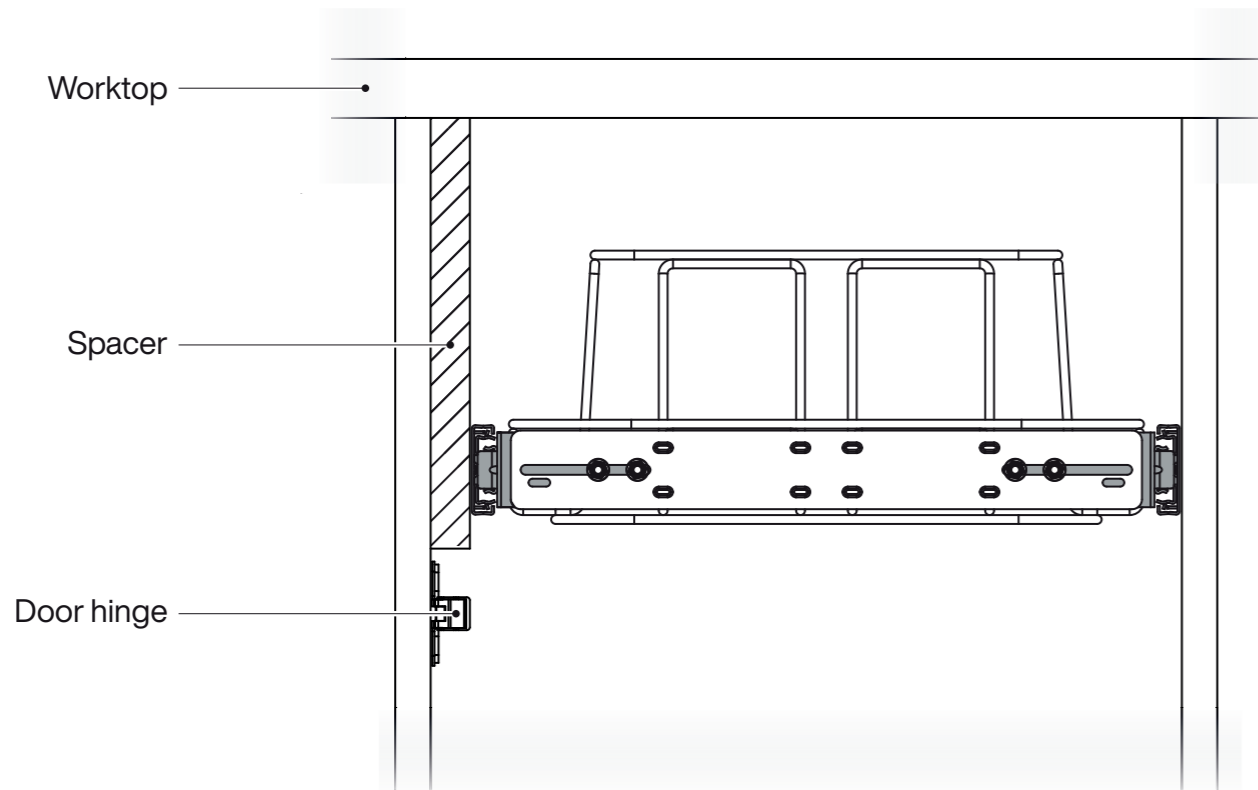
Extending the Longopac Flex will allow the user to change the bag & refill the liner easily.

# INSTALLATION GUIDE

Longopac Flex



Front view

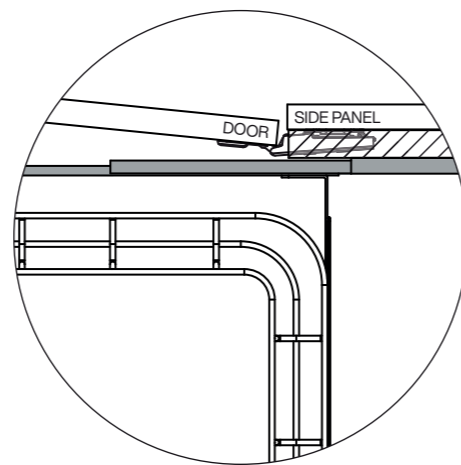


Please note that our Flex units **do not** come with any type of fixings and Unisan **do not** fit the units

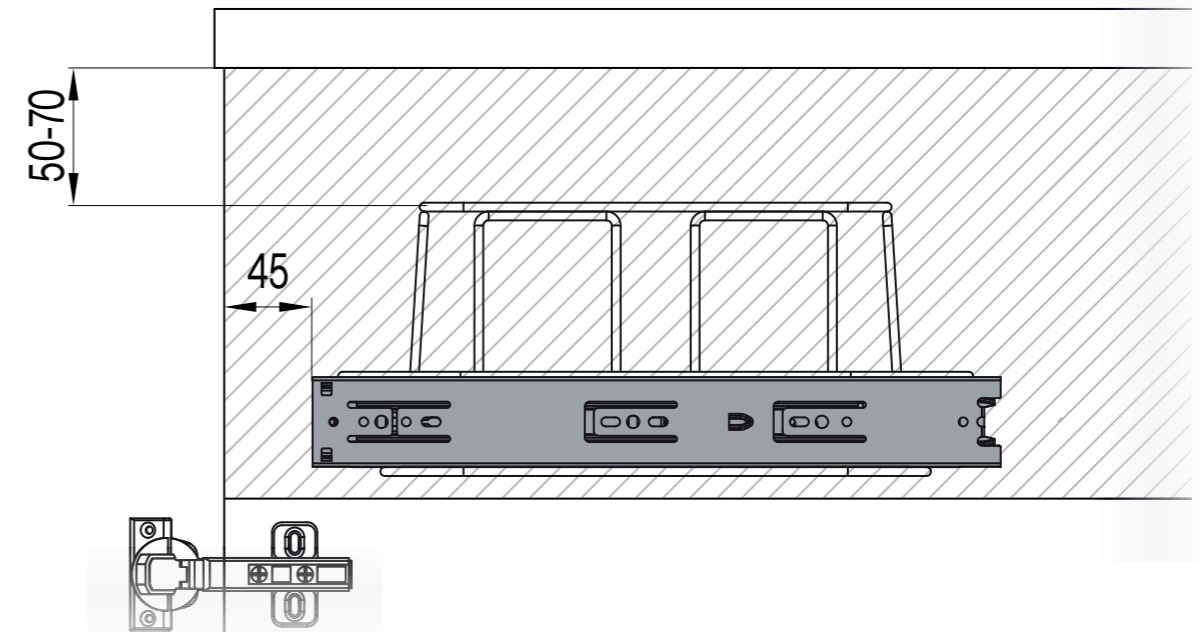
A **spacer** has been installed inbetween the Longopac Flex and the side panel to clear the door hinge. Adding the spacer allows the Longopac Flex to extend out without hitting the doors.

Thickness of the spacer will depend on the size of the door hinge.

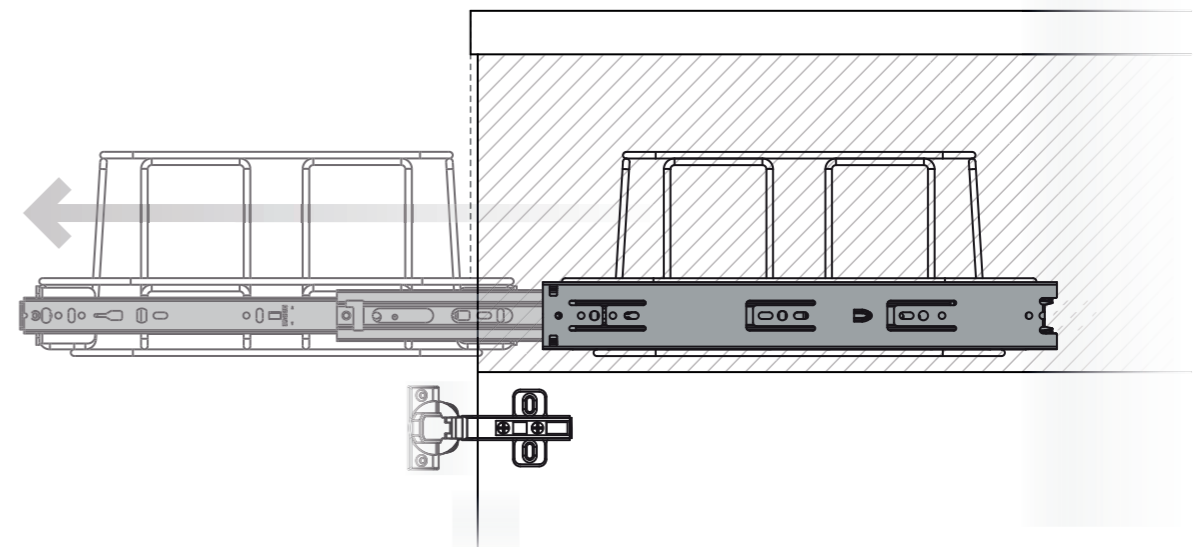
Top view



Side view

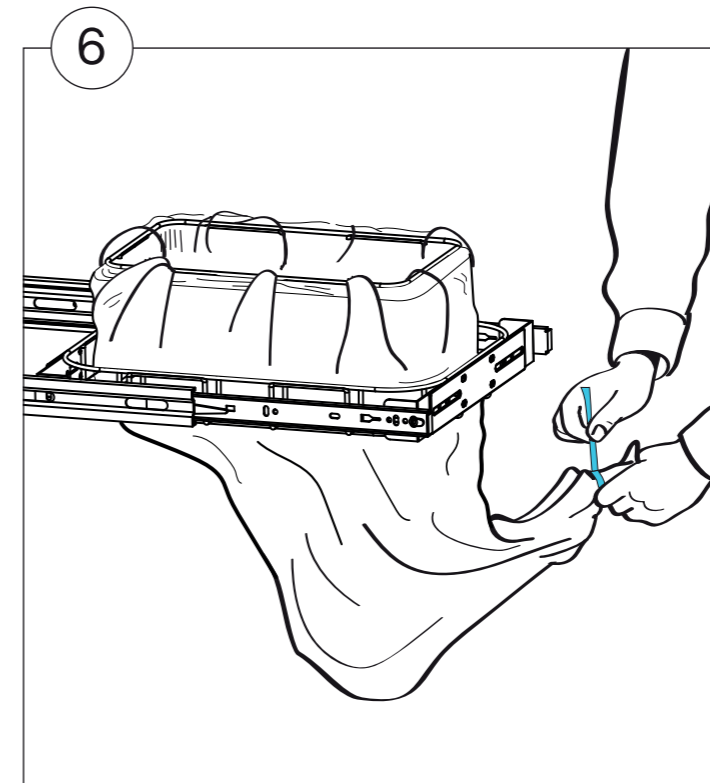
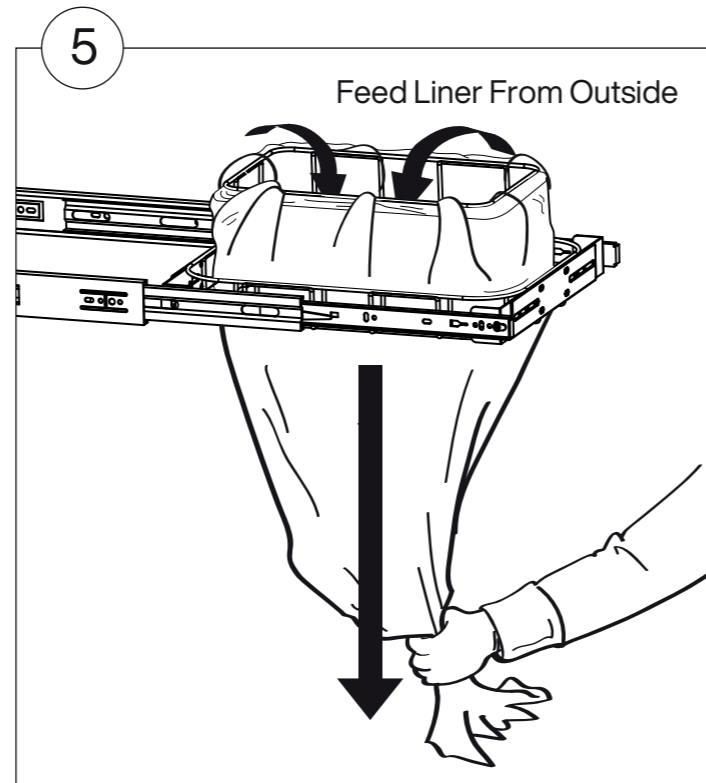
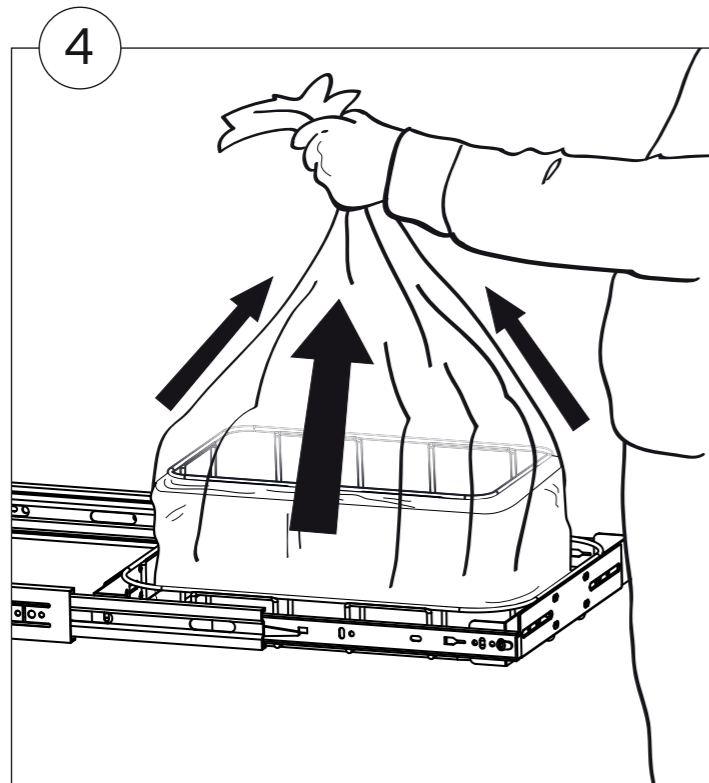
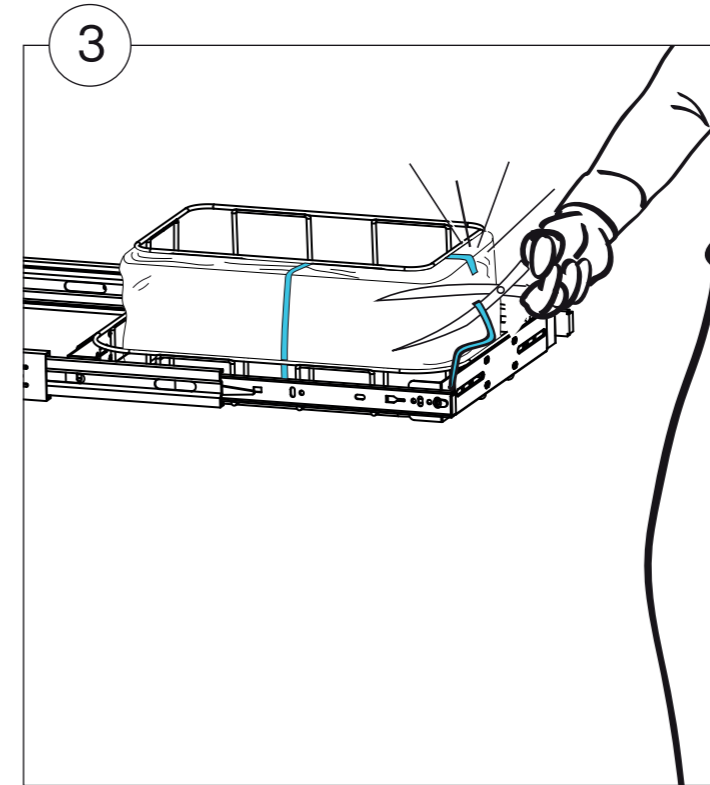
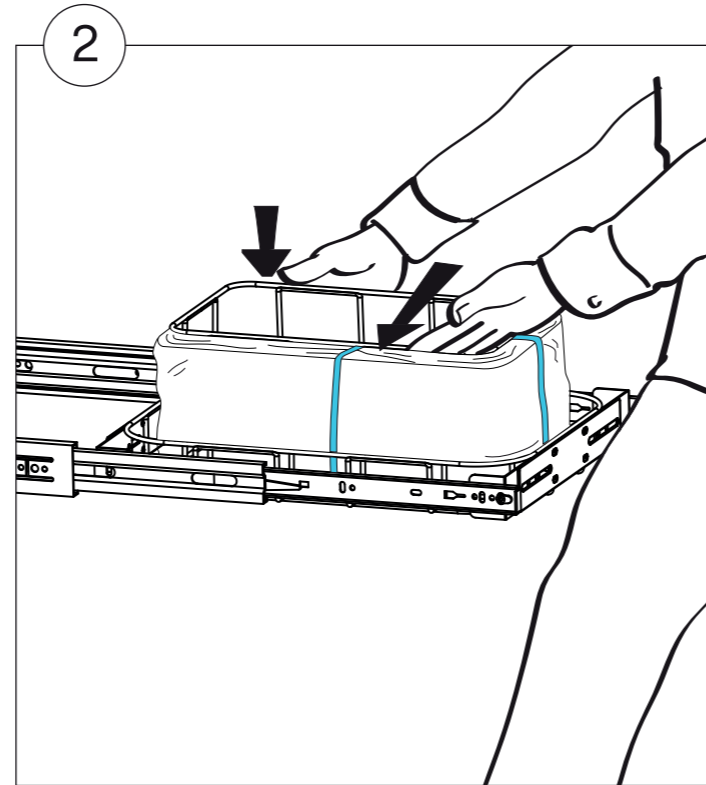
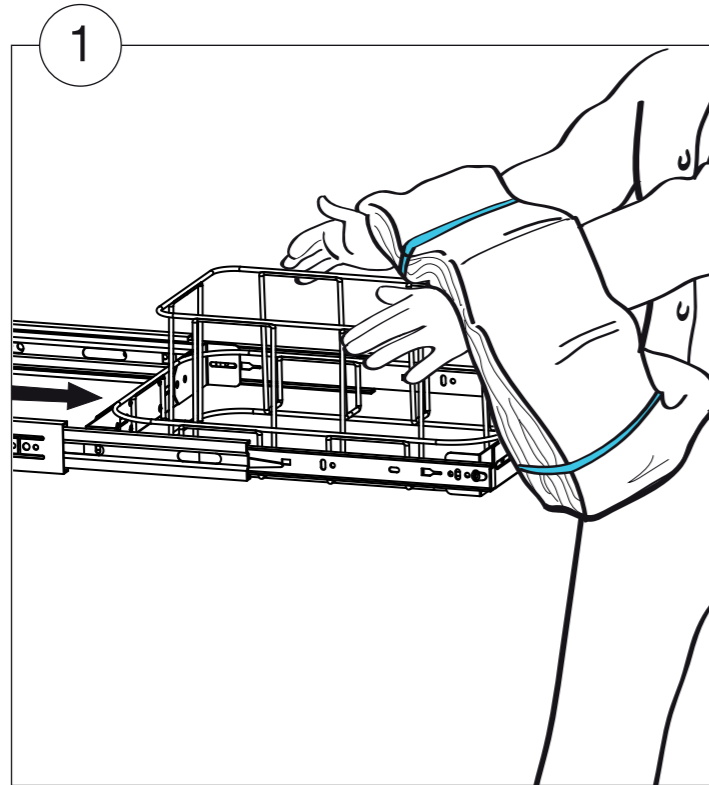


Using the recommended dimensions above will allow the Longopac Flex to be fully accessible when changing the bags and/or refilling the liners when it's fully extended.



# LOADING REFILL

Longopac Flex



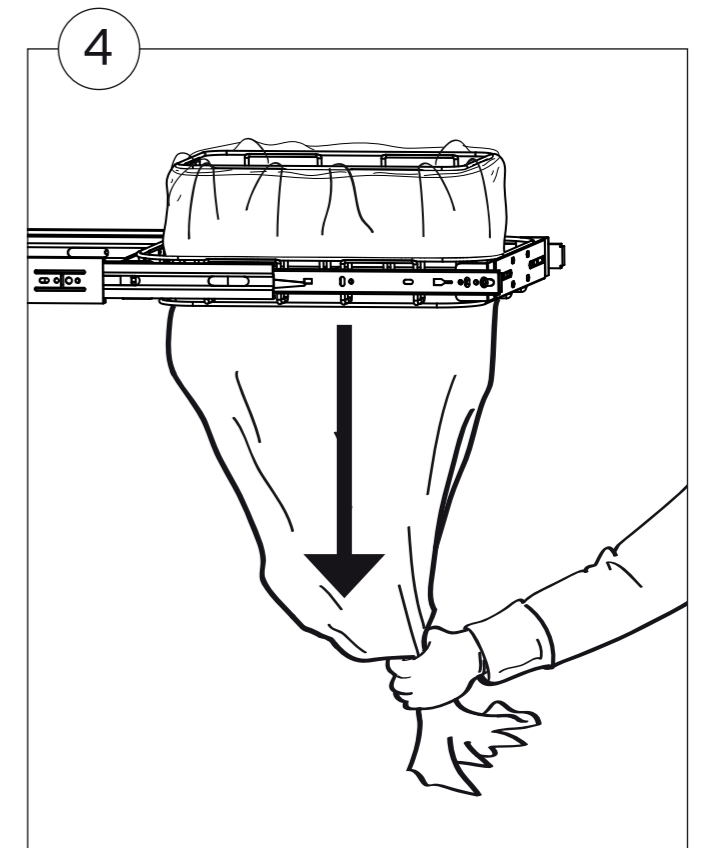
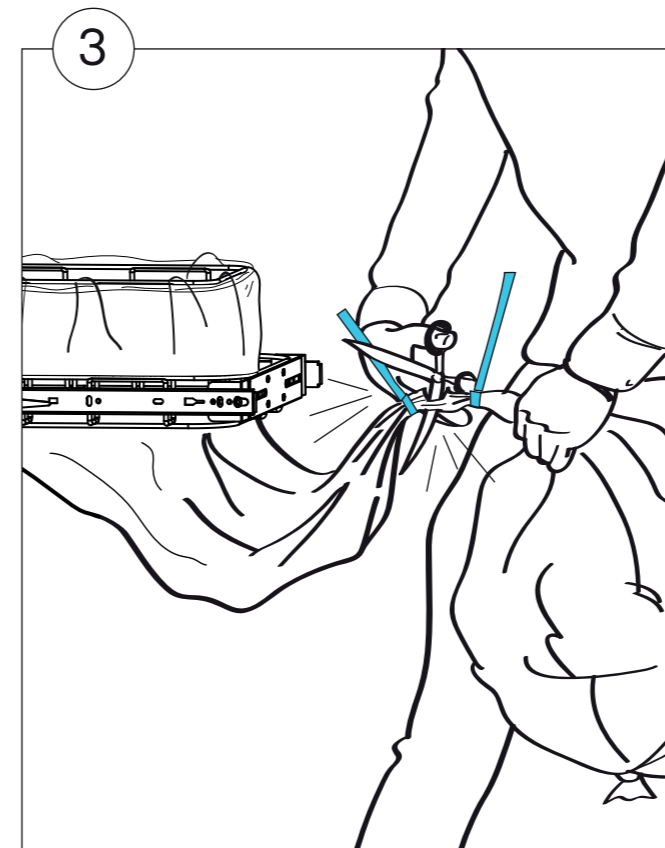
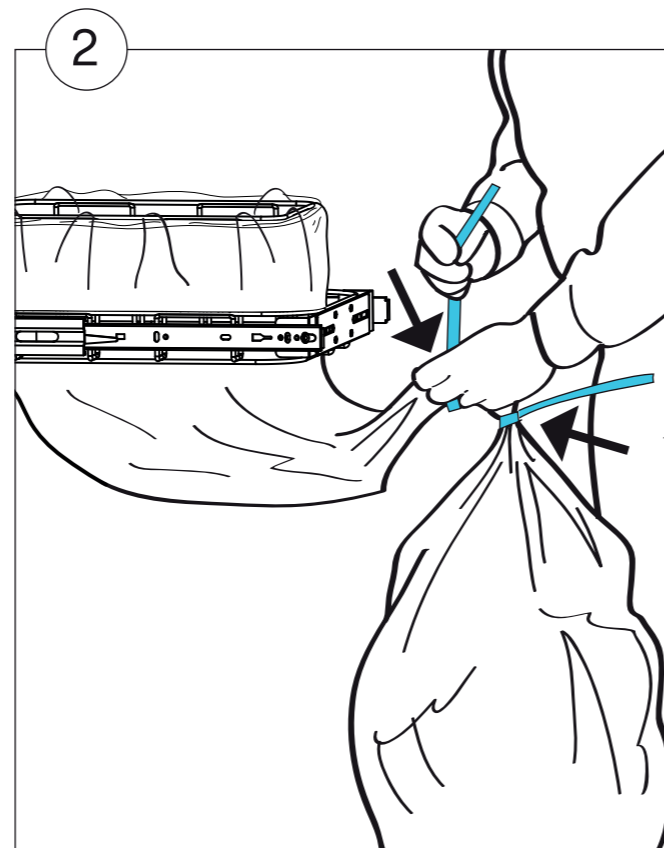
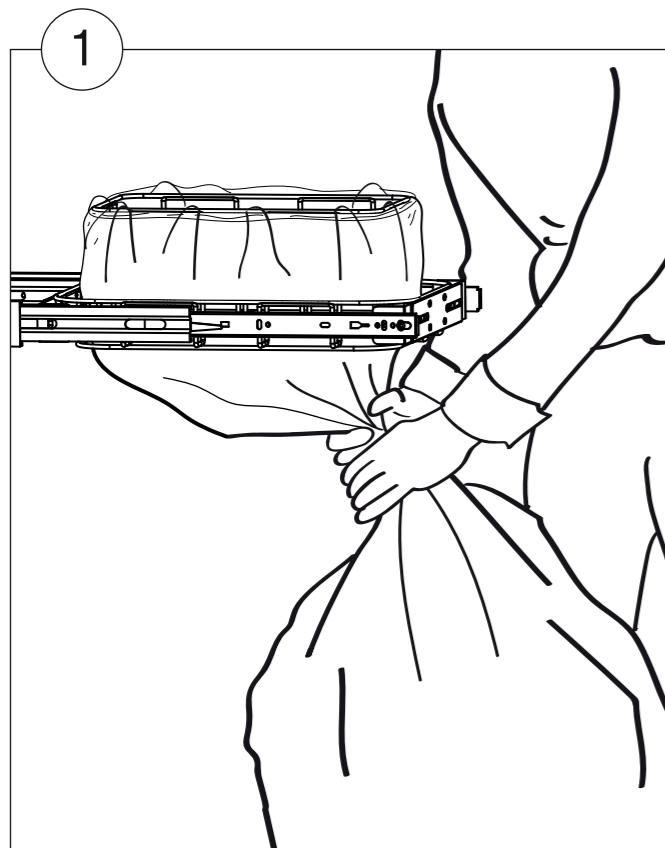
Watch Loading Refill Video

<https://youtu.be/sr3r41EyO08>



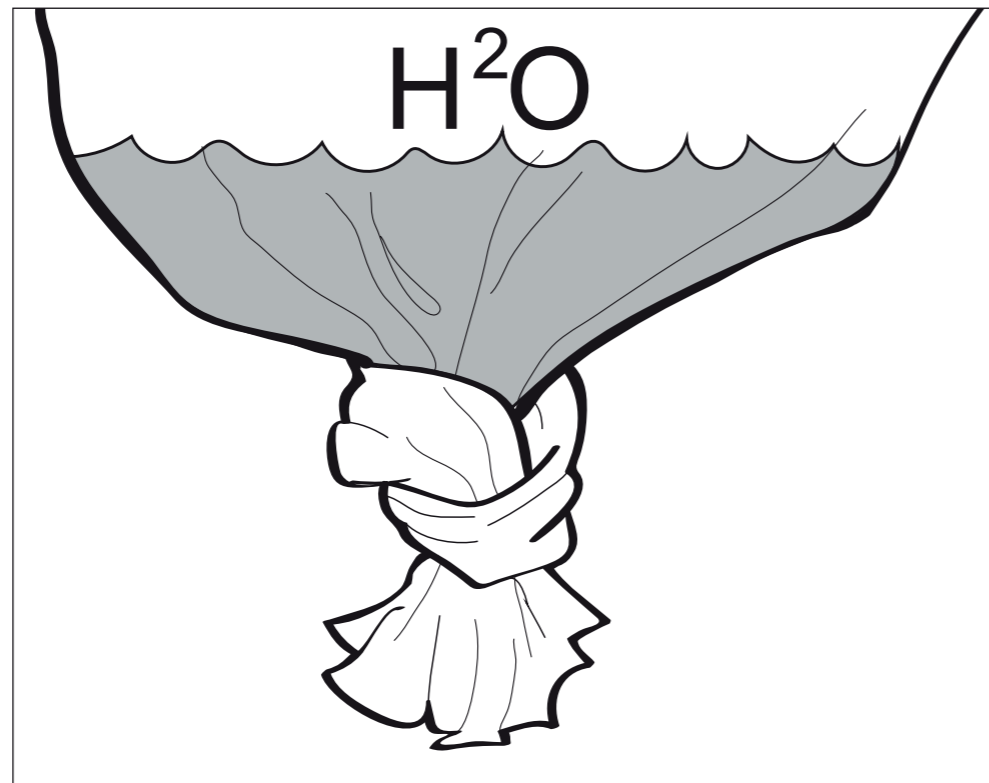
# CHANGING BAGS

Longopac Flex

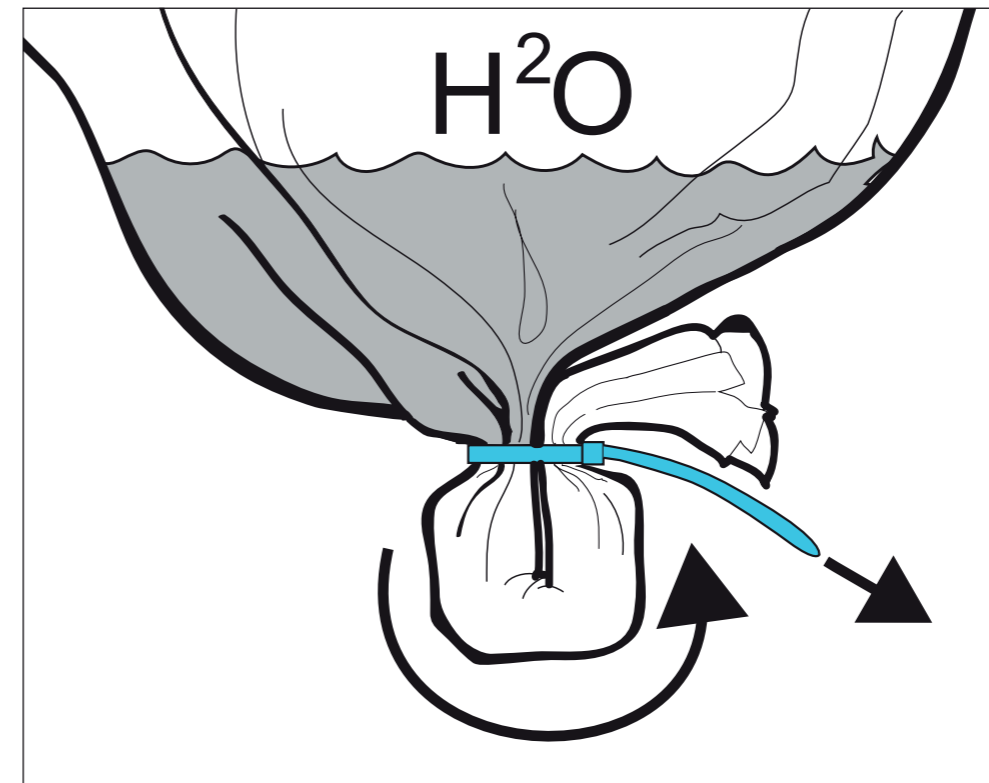


Watch Bag  
Change Video

<https://youtu.be/78kZHKnHomA>



Option 1



Option 2

# CHECK OUT OUR LONGOPAC RANGE

Longopac Continuous Liner System



Longopac Classic Bin >



Longopac Dynamic Bin >



Longopac Mini Washroom >



Longopac Dual Bin >

Ideal for use in:

- Warehouse & Distribution
- Production lines
- Manufacturing & Packing
- Storage areas
- Kitchen
- Toilet / Washroom / Changing rooms

[CLICK HERE TO SEE THE FULL BACK OF HOUSE RANGE](#)



Unisort Cup Collector >



Unisort Aspire Recycling Stations >

[DOWNLOAD OUR LATEST CATALOGUES HERE](#)

© Copyright Unisan 2022 - E&OE

**Unisan Limited**  
0330 700 6000  
sales@unisanuk.com  
www.unisanuk.com