



LONGOPAC COMPACT BINS  
**Mini & Midi**



# LONGOPAC COMPACT BINS

---



Free-standing metal frame which can fit inside your existing units to hold our Longopac Continuous Liners  
Unit comes with safety cutter which can be attached to either side.  
Available in Mini or Midi sizes



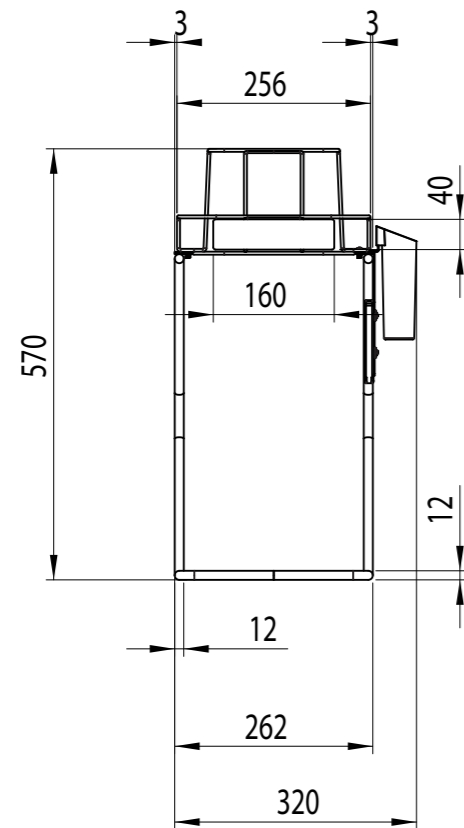
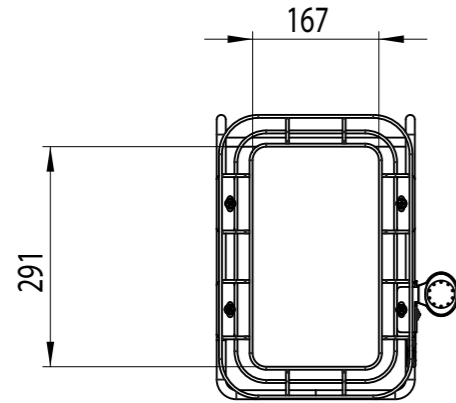
## CONTENTS.

Frame dimensions	3
Safety Cutter	7
Loading refill	8
Changing bags	9
Liquids	10

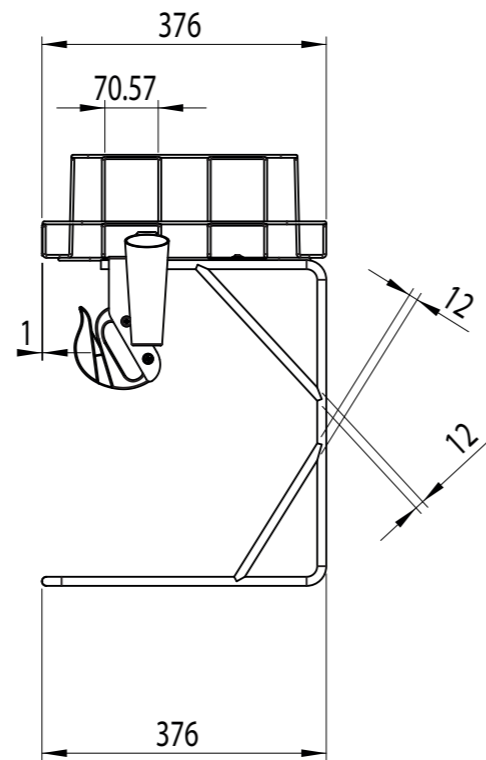
© Copyright Unisan 2022 - E&OE

# FRAME DIMENSIONS

Longopac 570mm Mini Compact

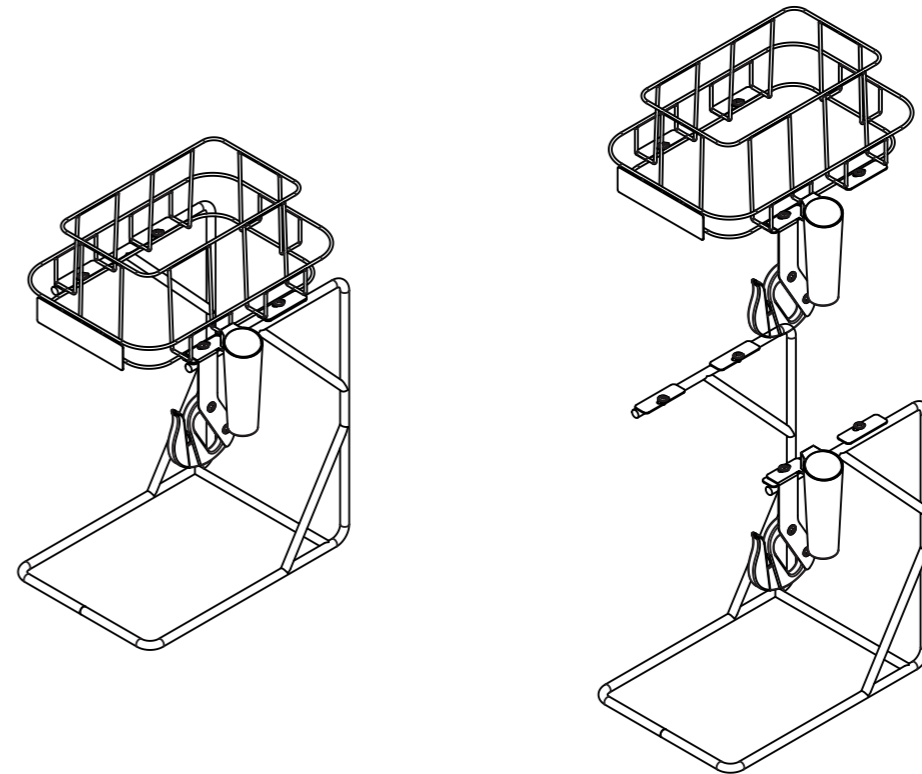


Front View



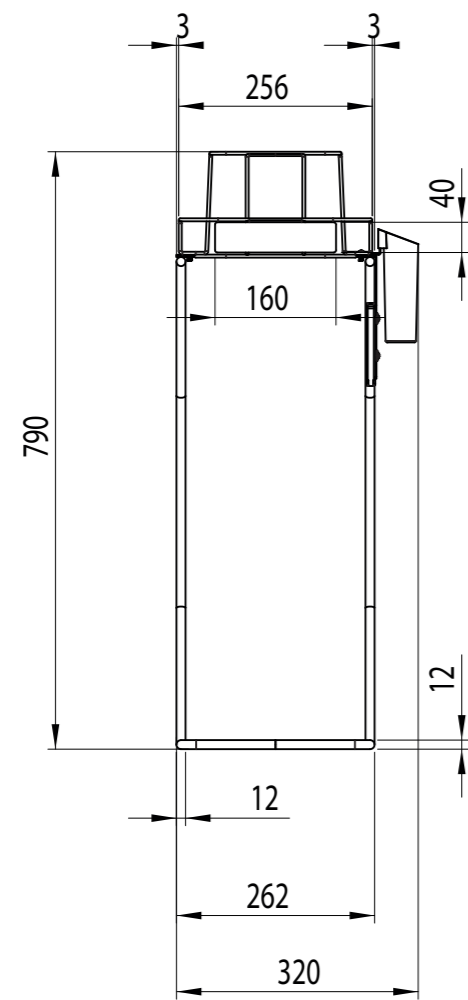
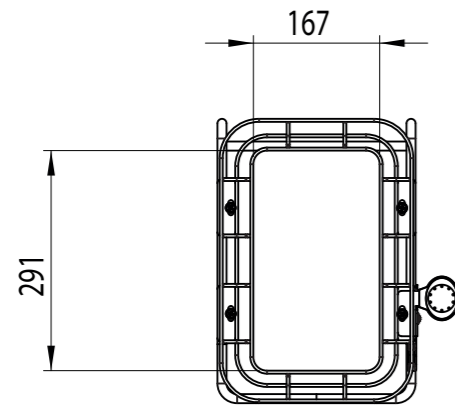
Side View

Isometric

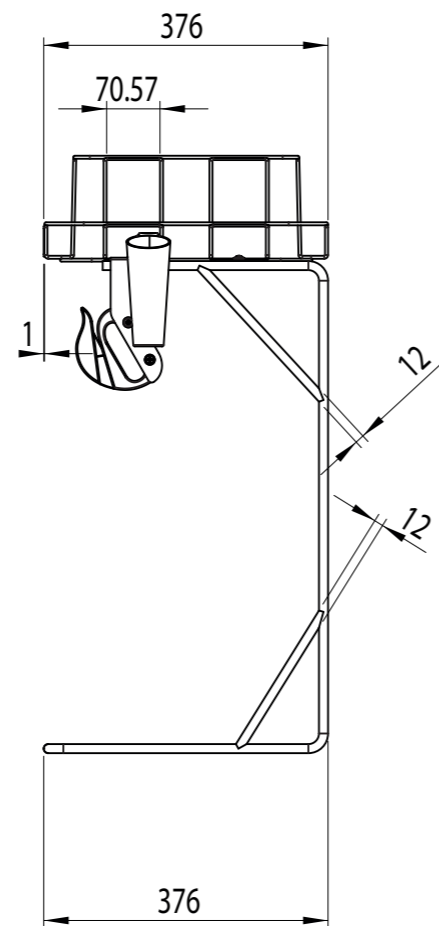


# FRAME DIMENSIONS

Longopac 790mm Mini Compact

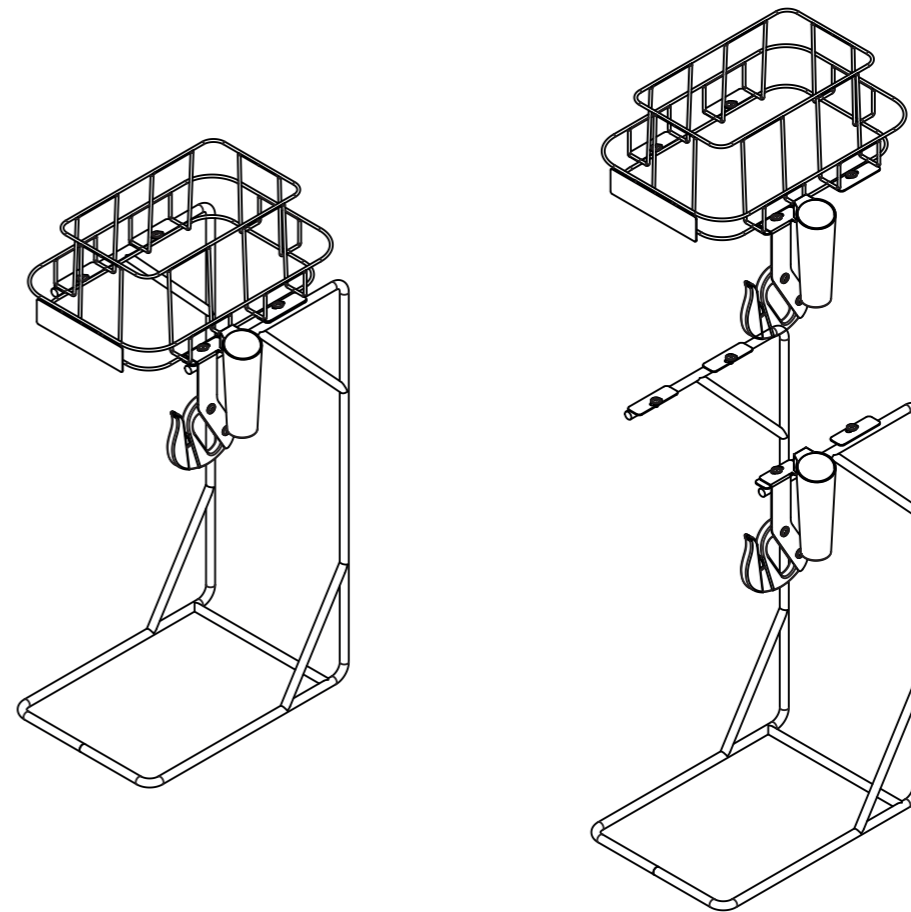


Front View



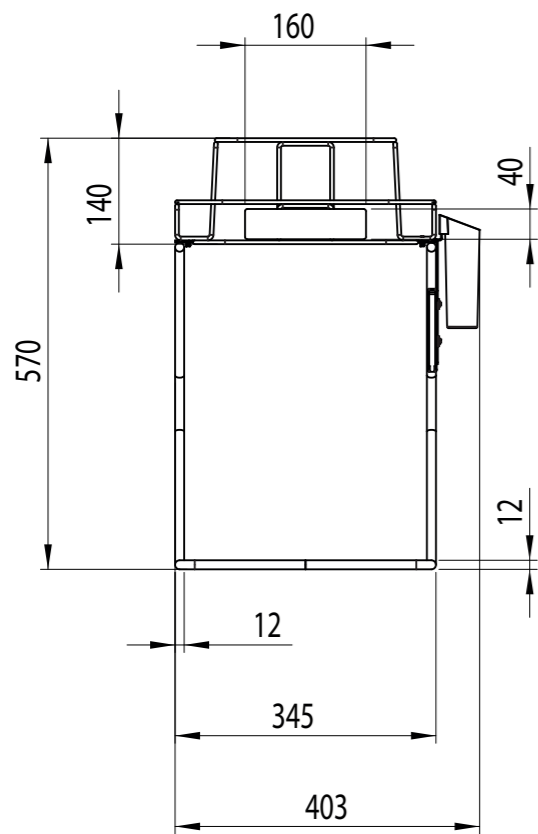
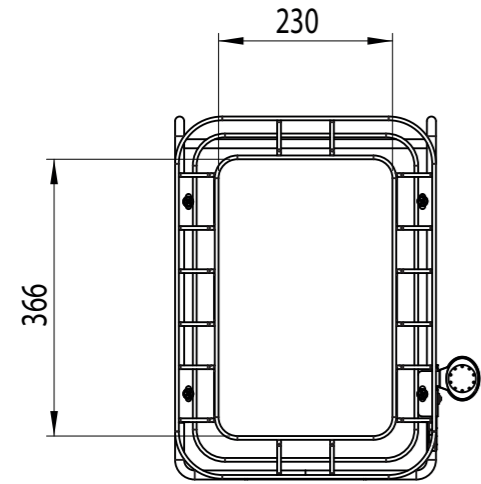
Side View

Isometric

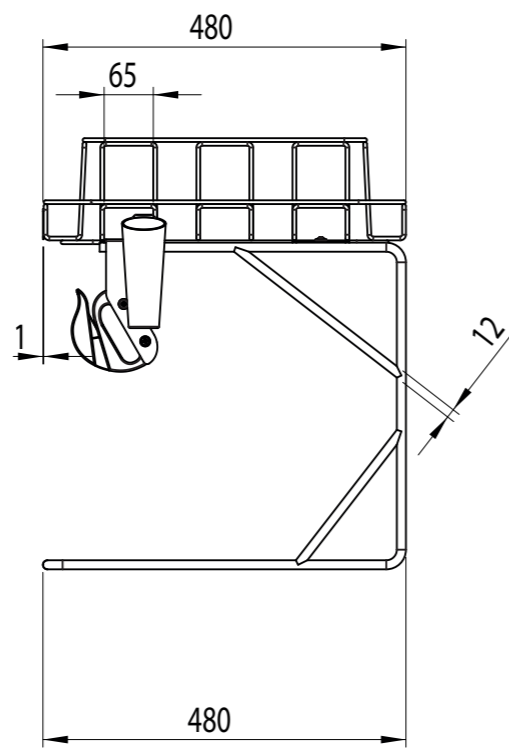


# FRAME DIMENSIONS

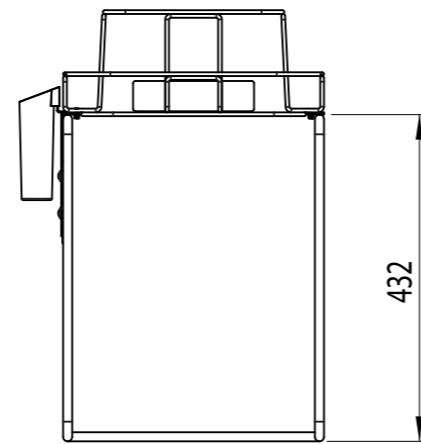
Longopac 570mm Midi Compact



Front View

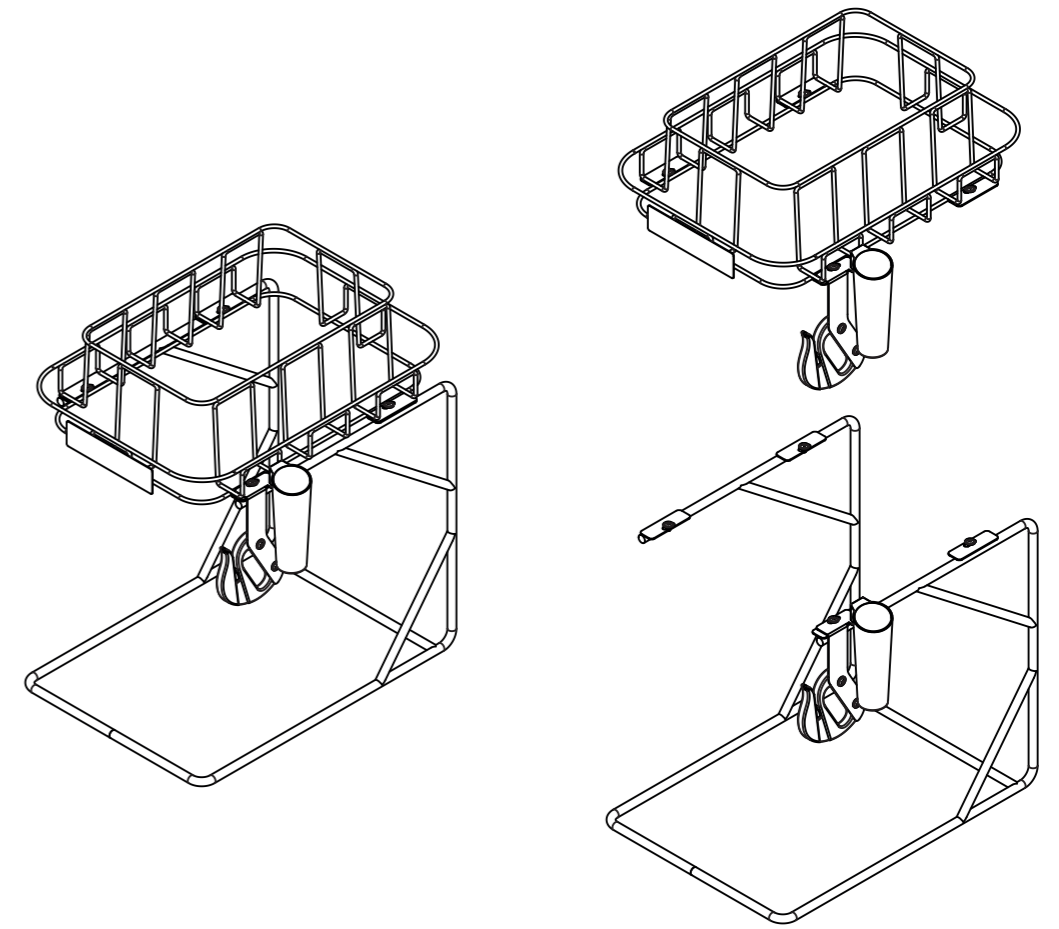


Side View



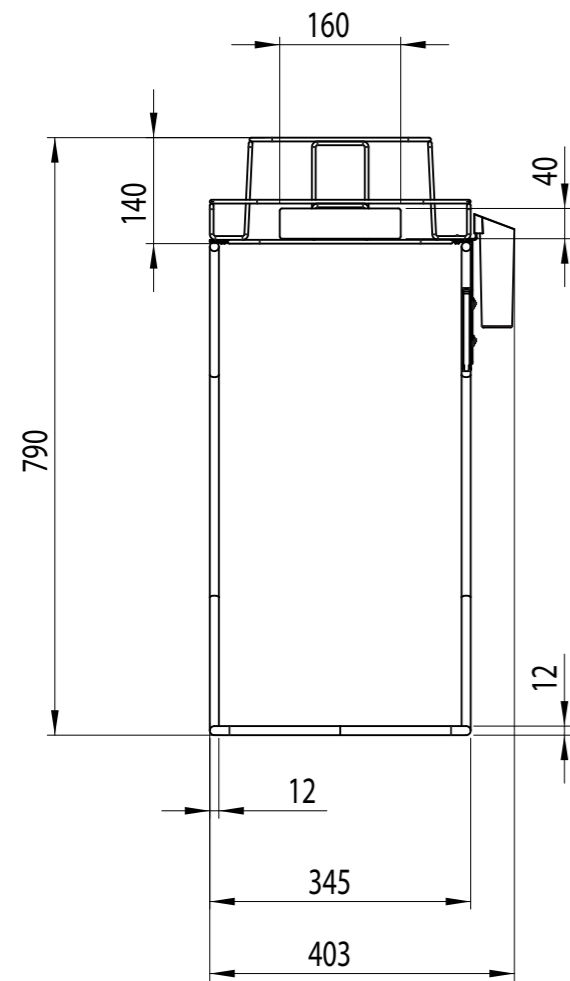
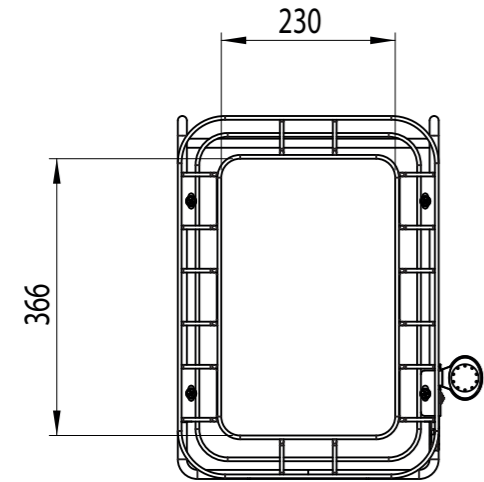
Back View

Isometric

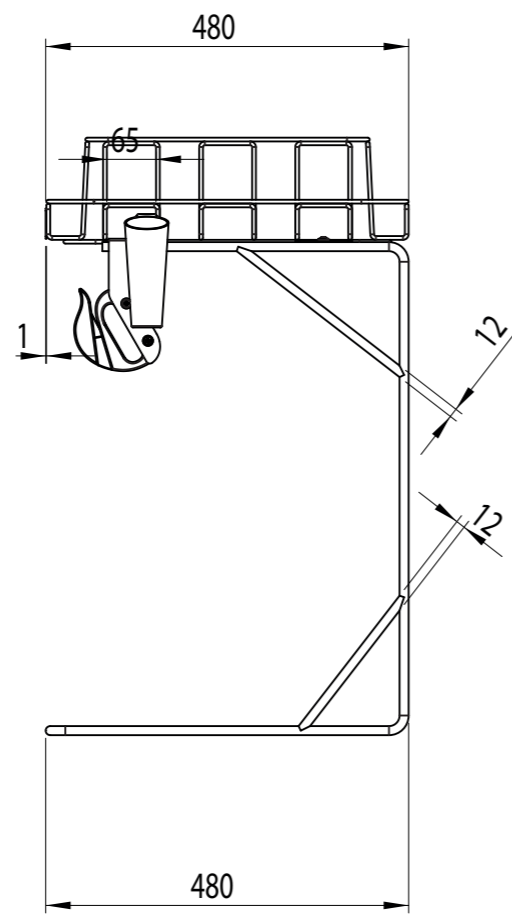


# FRAME DIMENSIONS

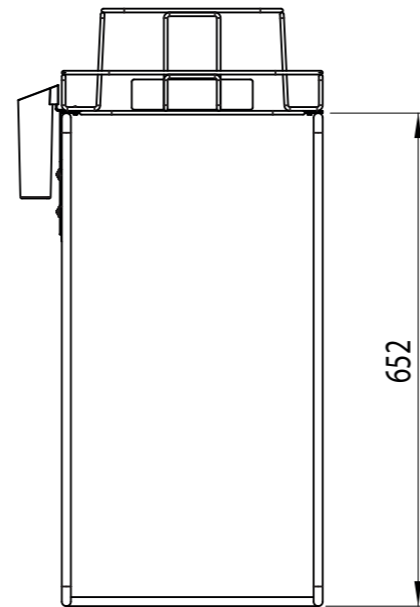
Longopac 790mm Midi Compact



Front View

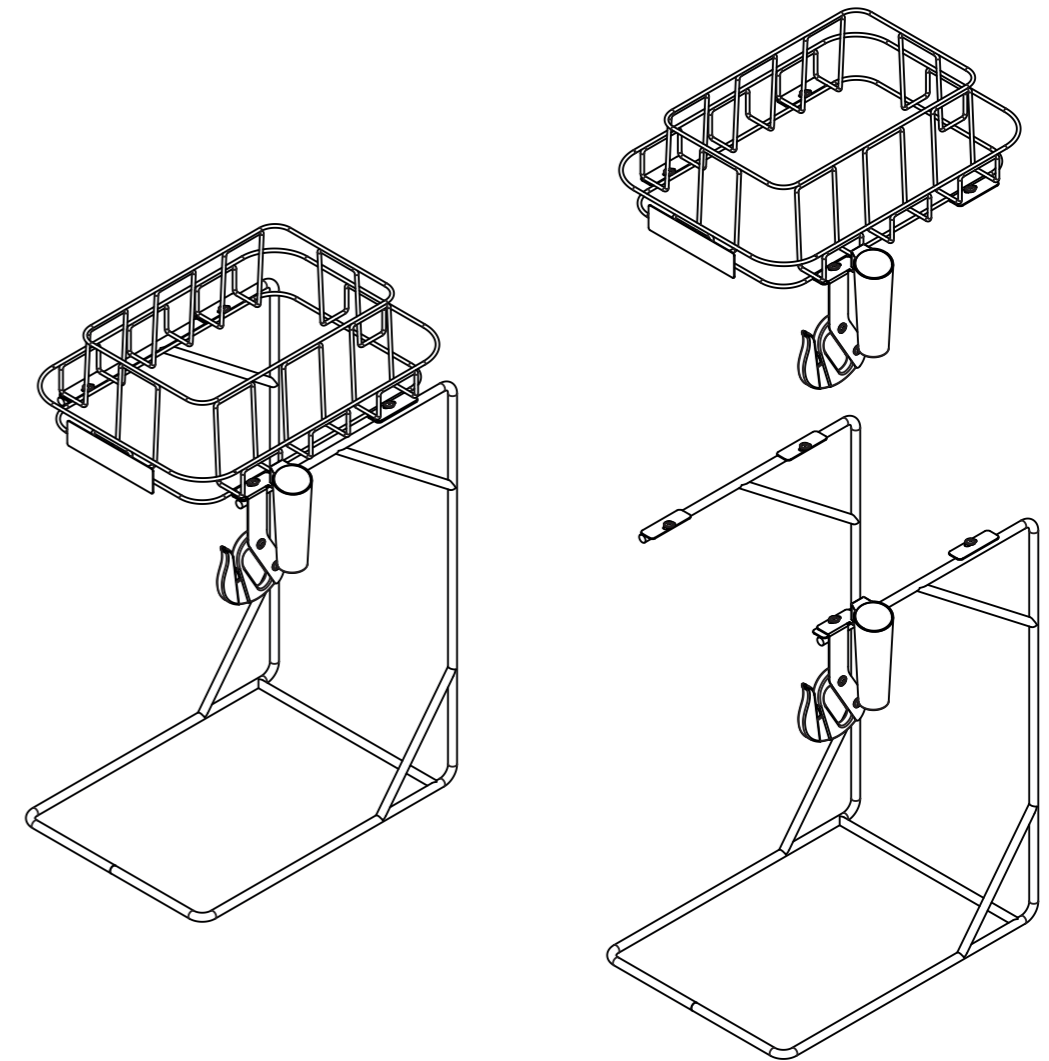


Side View



Back View

Isometric

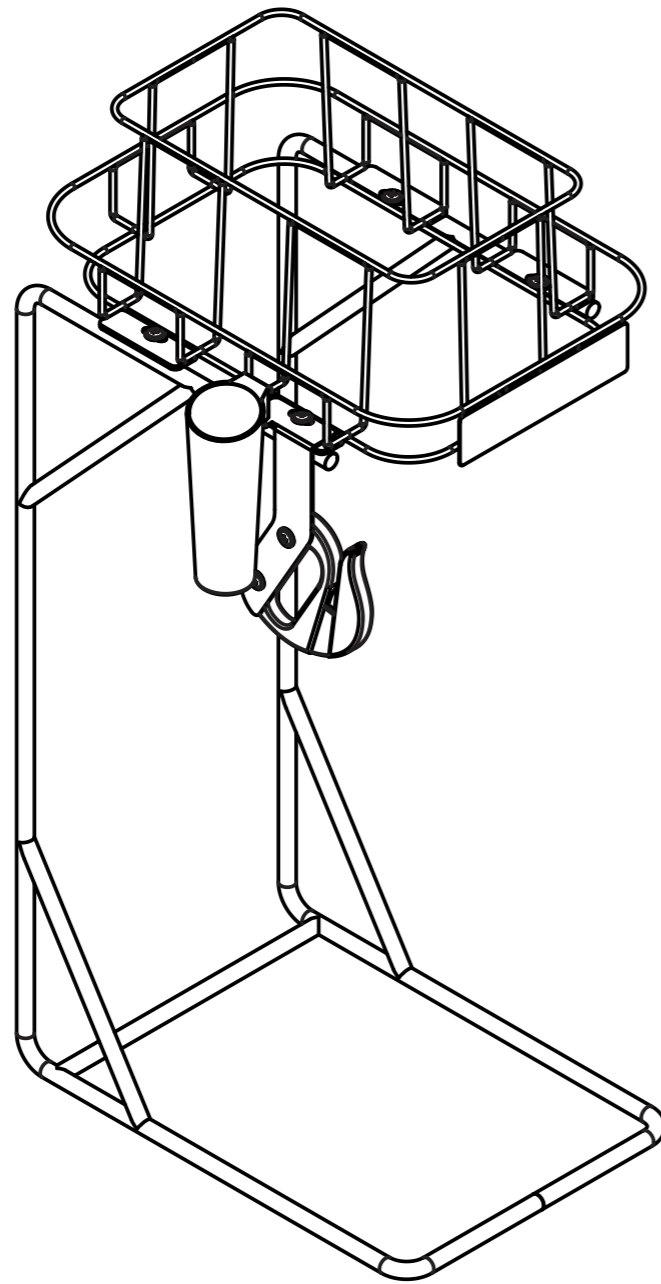


# SAFETY CUTTER

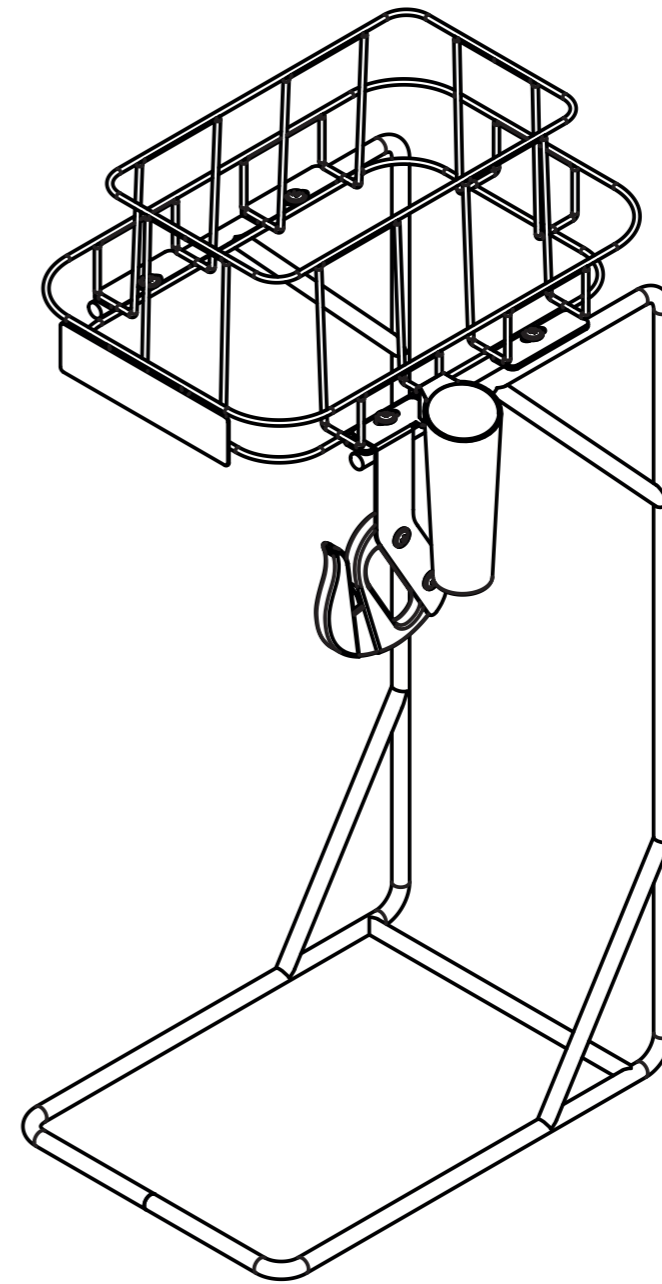
## Positions



We can attached the safety cutters and zip tie holders to the left or right of the compact units to suit your needs



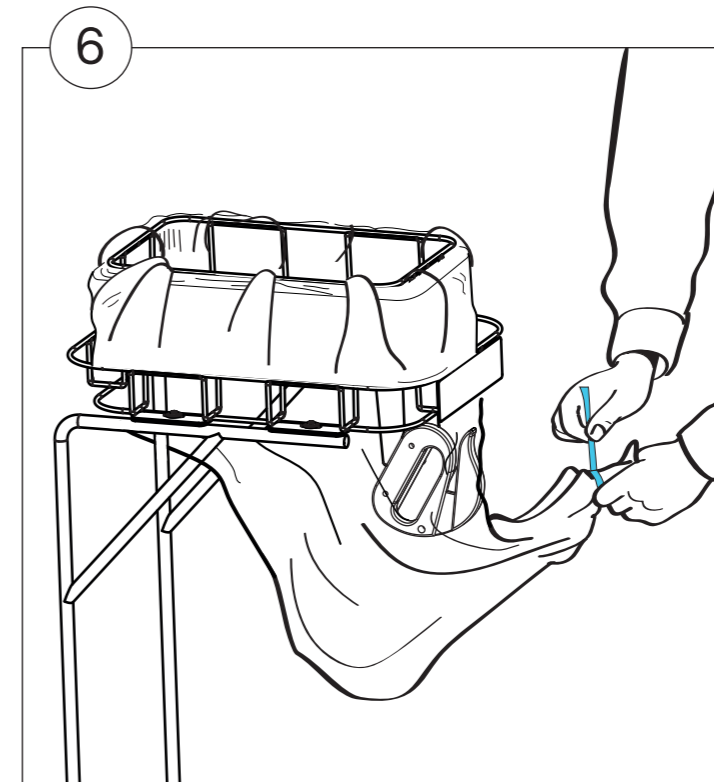
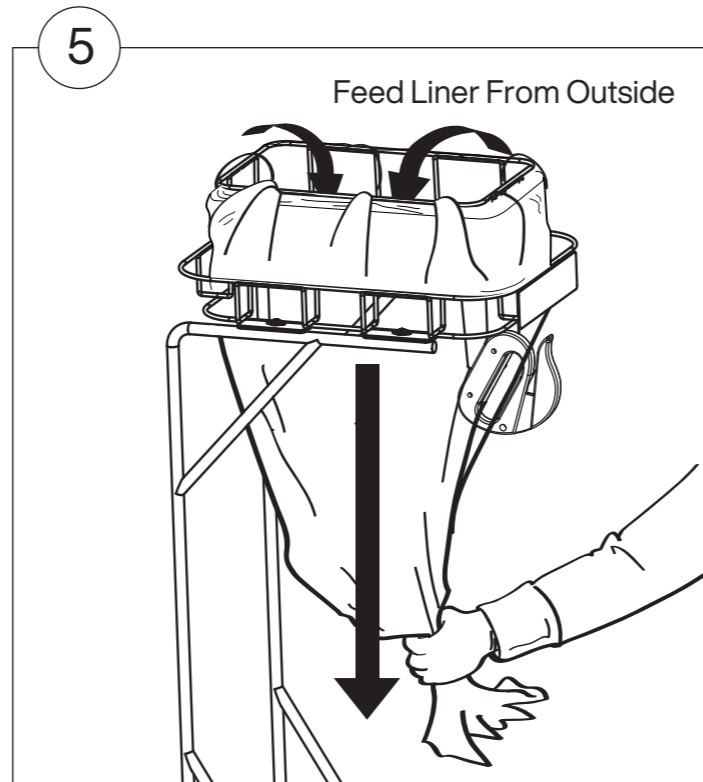
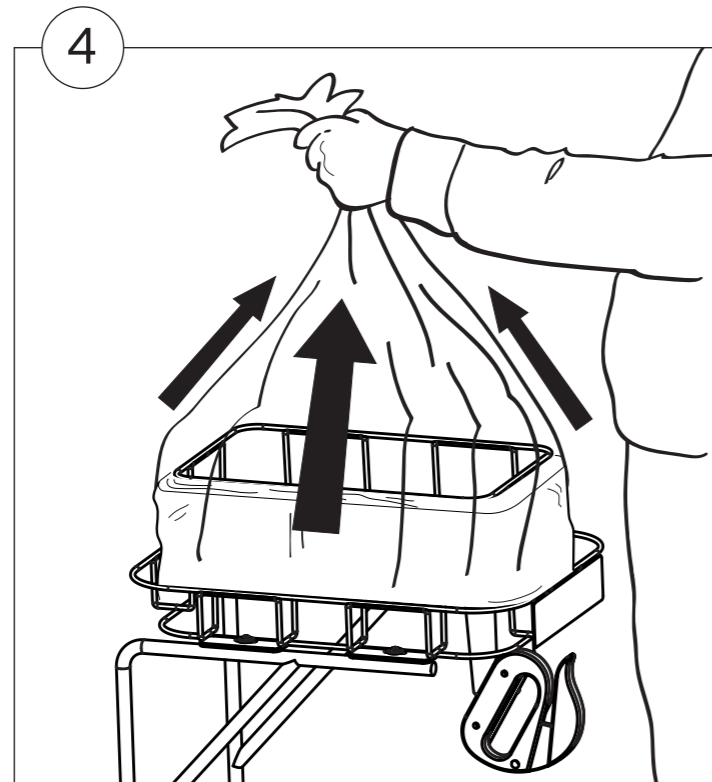
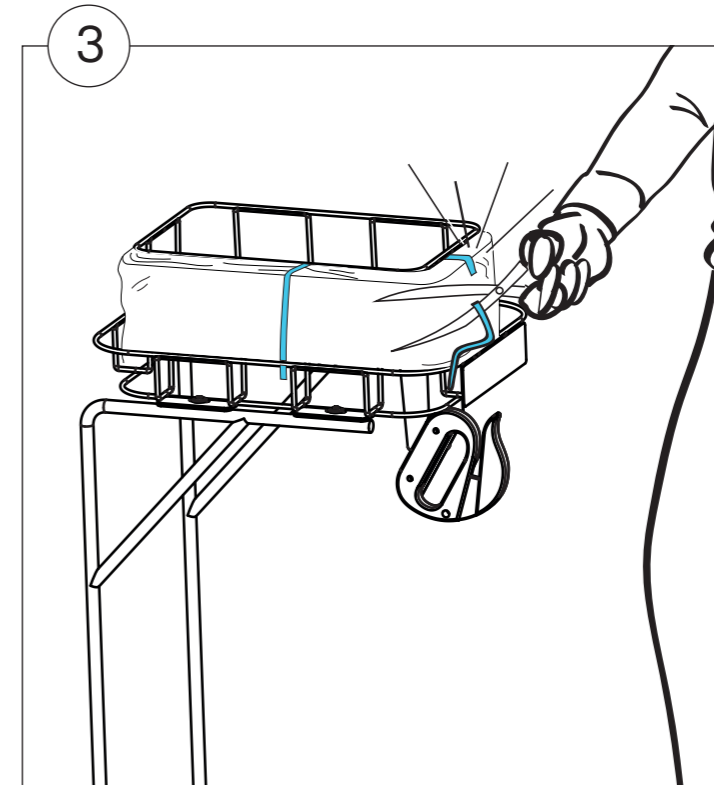
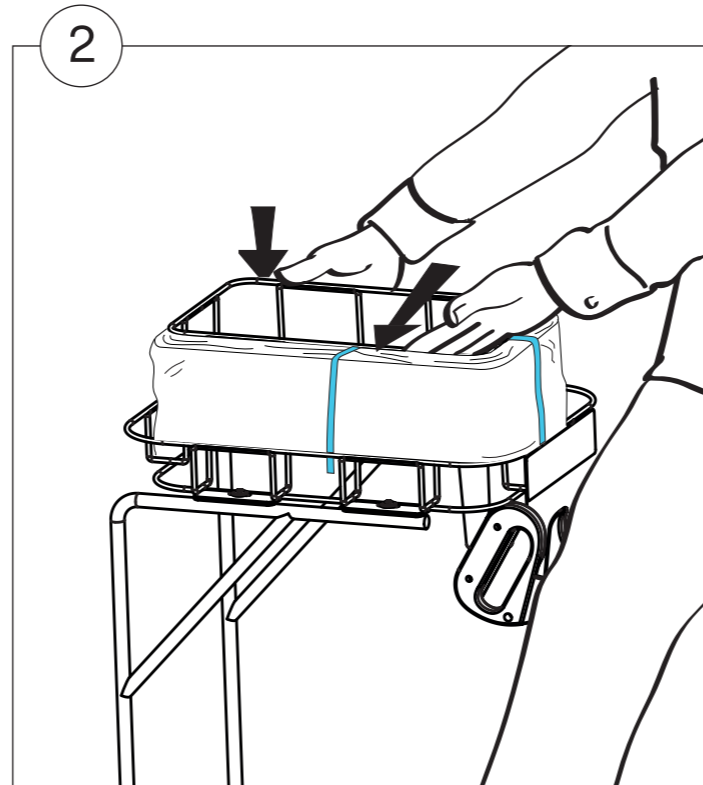
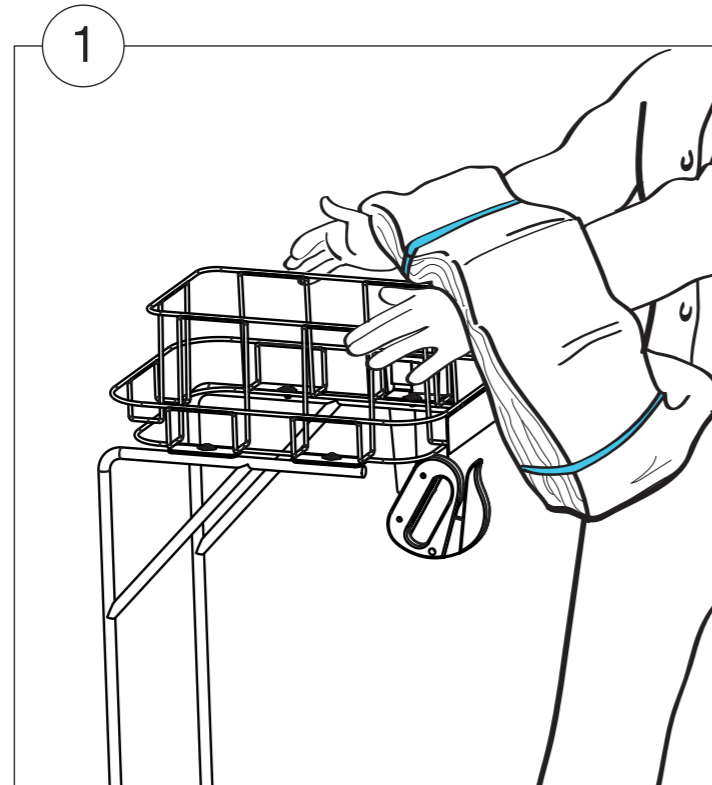
Left Hand Side



Right Hand Side

# LOADING REFILL

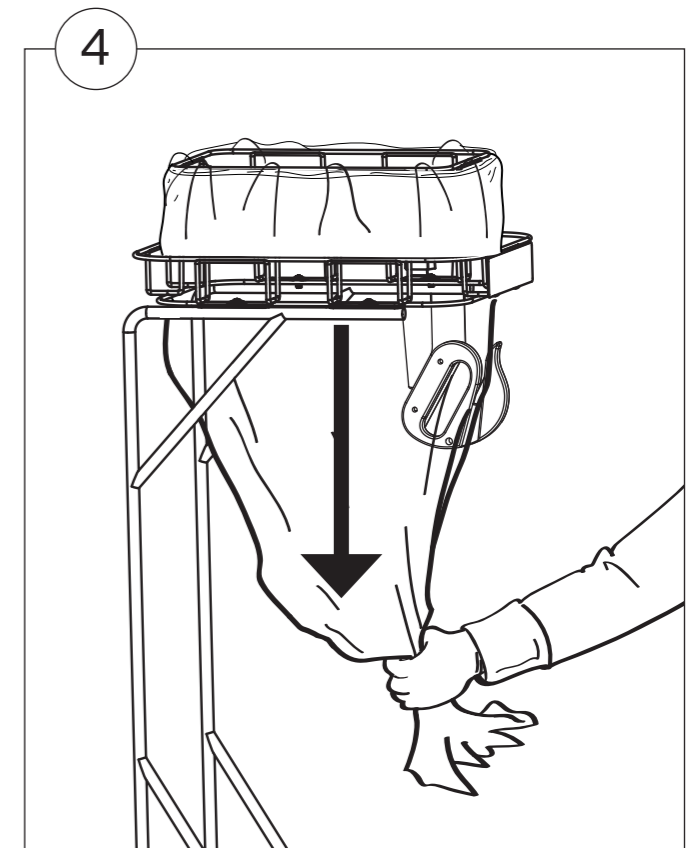
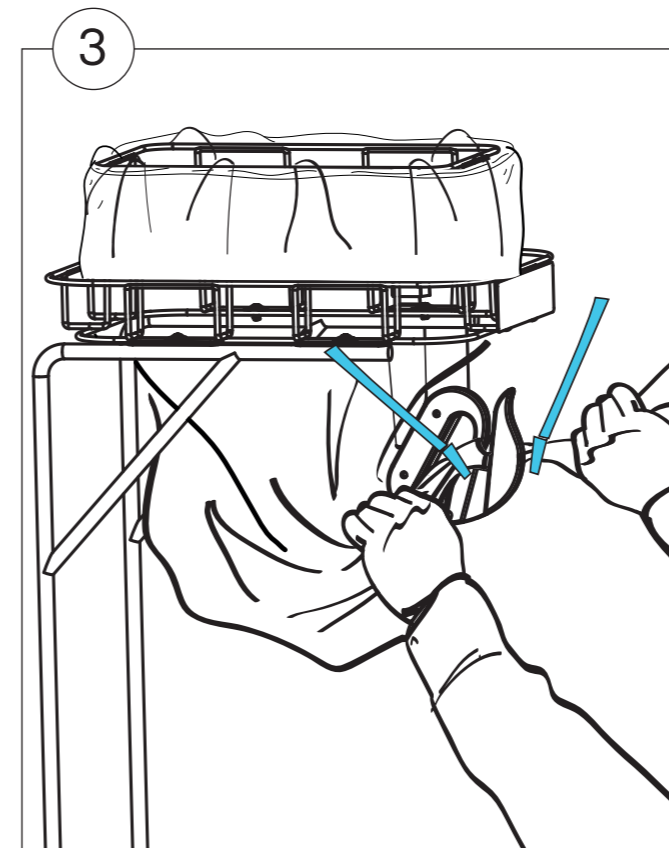
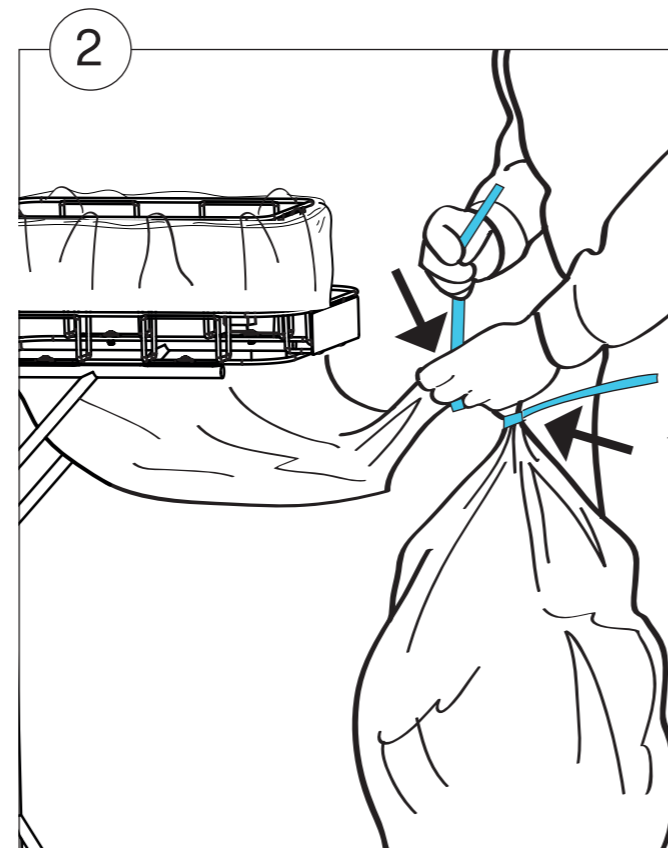
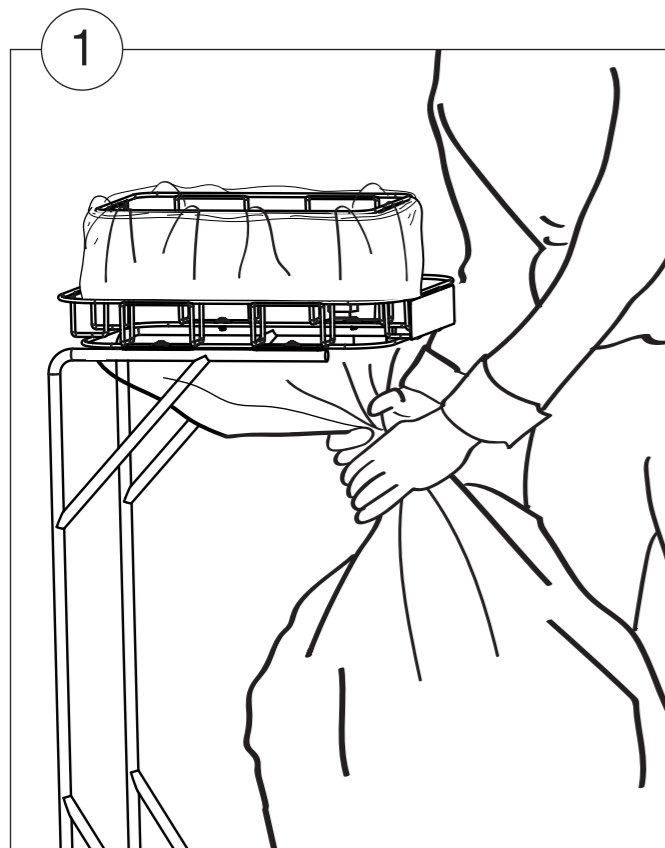
Longopac Compact Bins





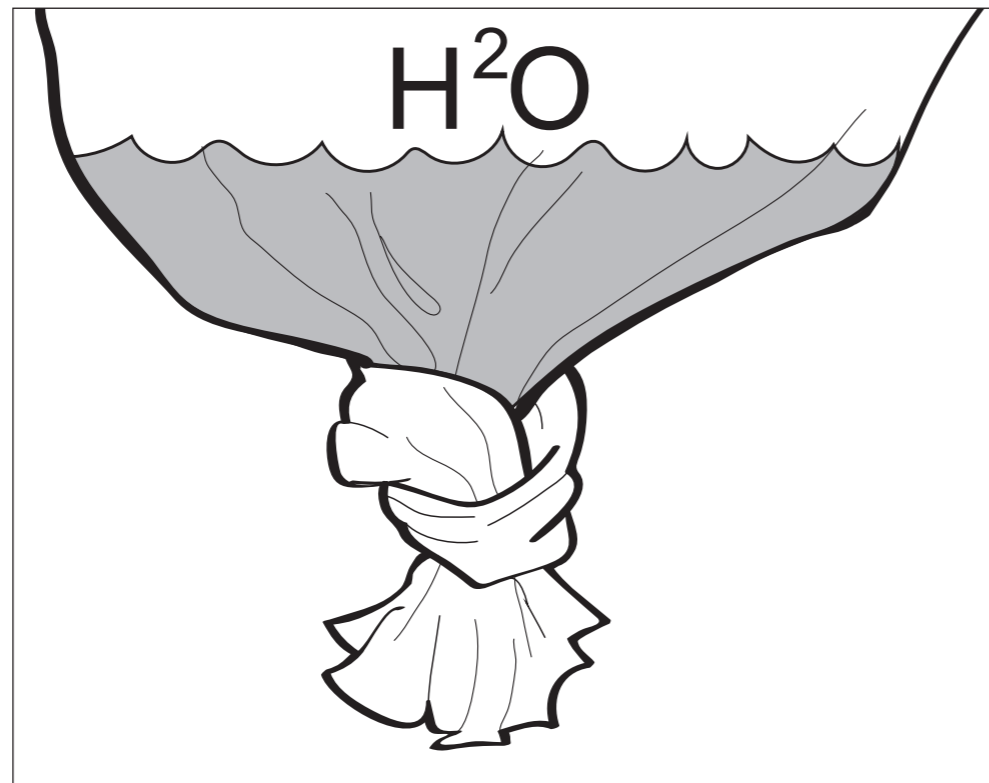
# CHANGING BAGS

Longopac Compact Bins

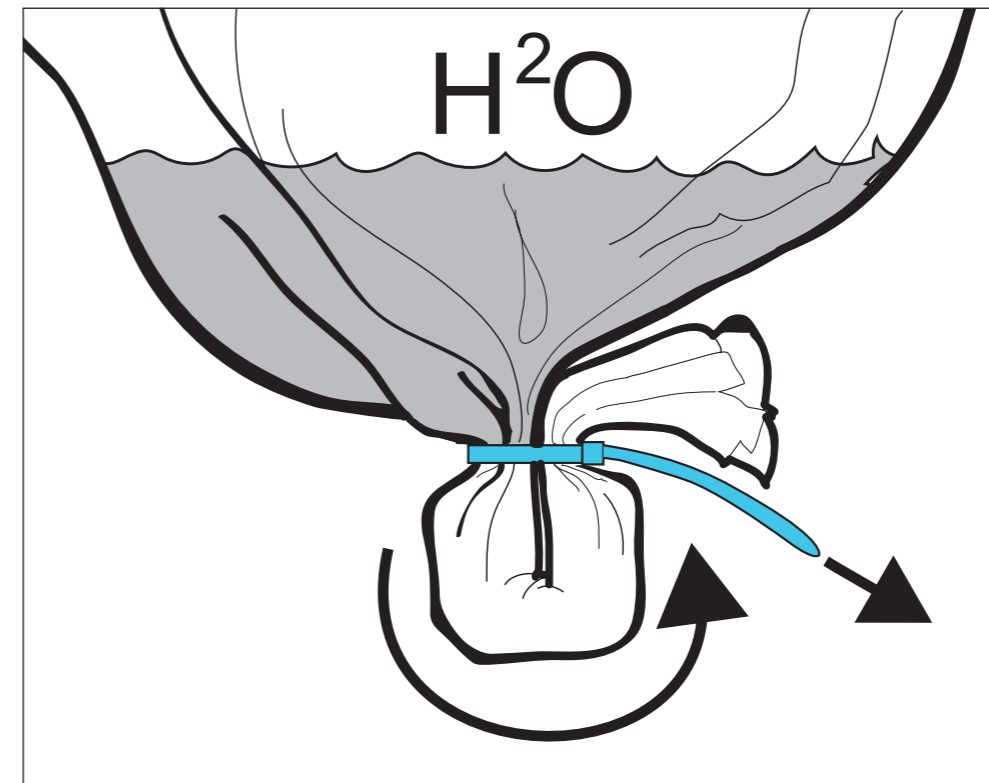


# LIQUIDS

Longopac Flex Maxi



Option 1



Option 2

# CHECK OUT OUR LONGOPAC RANGE

Longopac Continuous Liner System



Longopac Classic Bin >



Longopac Dynamic Bin >



Longopac Mini Washroom >



Longopac Dual Bin >

Ideal for use in:

- Warehouse & Distribution
- Production lines
- Manufacturing & Packing
- Storage areas
- Kitchen
- Toilet / Washroom / Changing rooms

[CLICK HERE TO SEE THE FULL BACK OF HOUSE RANGE](#)



Unisort Cup Collector >



Unisort Aspire Recycling Stations >

[DOWNLOAD OUR LATEST CATALOGUES HERE](#)

© Copyright Unisan 2022 - E&OE

**Unisan Limited**  
0330 700 6000  
sales@unisanuk.com  
www.unisanuk.com